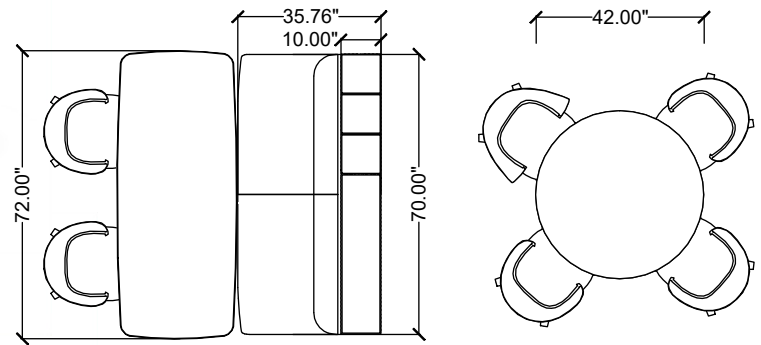


# stylex

## VINA 11



Materials priced in Grade B Fabric. This specification is for budget purposes and reflects list pricing.



## VINA 11

LINE	PART NUMBER	PART DESCRIPTION	QTY	LIST	EXT. LIST
1	CARDB29T4200LM	Cala, Café, 29H, Round, 42 Dia, Laminate	1	\$3,050.00	\$3,050.00
2	OB-SR30072-ST1-B29	Obair Multi-Purpose Table with Dual Base - Soft Rectangle 30x72" Straight Edge	1	\$3,174.00	\$3,174.00
3	AL111116	Anla, Armless, Standard Upholstery, Four Wood Leg	5	\$1,860.00	\$9,300.00
4	AL211116	Anla, Arm, Standard Upholstery, Four Wood Leg	1	\$1,957.00	\$1,957.00
5	LNP31L35	Luna, Plinth, Armless End Left, Low Back, 35in Long, Standard Uph	1	\$3,497.00	\$3,497.00
6	LNP32L35	Luna, Plinth, Armless End Right, Low Back, 35in Long, Standard Uph	1	\$3,497.00	\$3,497.00
7	VNP103035	Vina, Planter, Triple, 10D x 30W, 35H	1	\$2,153.00	\$2,153.00
8	VNS104035	Vina, Surface, 10D x 40W, 35H	1	\$3,223.00	\$3,223.00

**Quote Total: \$29,851.00**