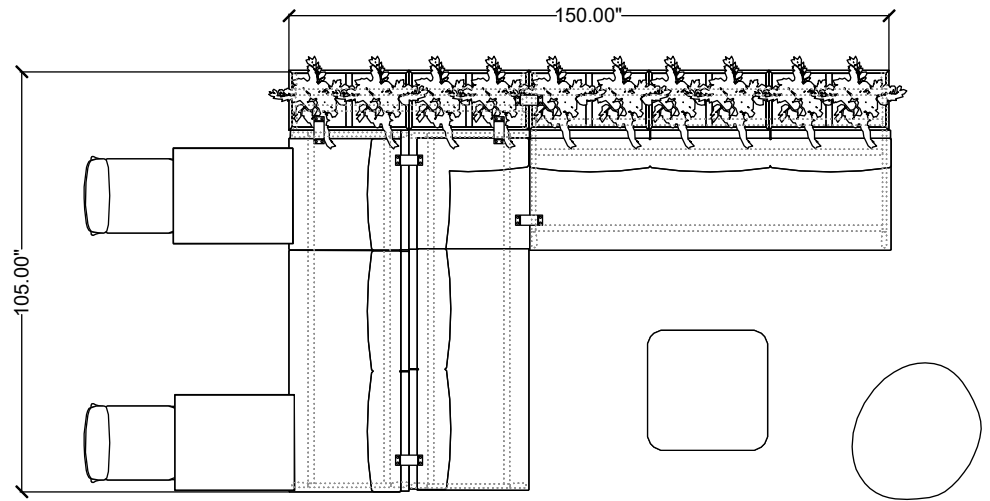


stylex

FREE ADDRESS 02



Materials priced in Grade B Fabric. This specification is for budget purposes and reflects list pricing.



FREE ADDRESS 02

#	Qty	Part Number	Description	List	Ext. List
Free Address 02					
1	1	CV452	Cove Lounge, Low Back, Wood Base	\$3,175.00	\$3,175.00
2	2	DL111	Dela, Guest 4-leg Armless Fully Upholstered	\$1,162.00	\$2,324.00
3	1	FA21SE36R	Free Address 36 Single, Standard, End Panel 36H Right Side	\$3,068.00	\$3,068.00
4	2	FA22S	Free Address 36 Double, Standard	\$3,909.00	\$7,818.00
5	1	FA23S	Free Address 36 Triple, Standard	\$5,726.00	\$5,726.00
6	1	FA24S	Free Address 36 Corner, Standard	\$3,373.00	\$3,373.00
7	5	FA6P2H36	Free Address Planter - Double, 36" Height	\$3,981.00	\$19,905.00
8	1	FA8SD15L60	Free Address Frame - Seat Height, 15" Depth 60" Length	\$951.00	\$951.00
9	2	FA8SD30L90	Free Address Frame - Seat Height, 30" Depth 90" Length	\$1,293.00	\$2,586.00
10	1	FA8SD45L90	Free Address Frame - Seat Height, 45" Depth 90" Length	\$1,915.00	\$1,915.00
11	5	FAFG1	Free Address Free Address Frame Ganging 1 (Seats)	\$54.00	\$270.00
12	2	OBTR24030ST1	True Rectangle	\$1,278.00	\$2,556.00
13	1	TR303016C	Trim, 30Lx30Wx16H, Closed Base	\$1,518.00	\$1,518.00
14	1	FAFG2	Free Address Free Address Frame Ganging 2 (Tables + 15" deep frames)	\$54.00	\$54.00
				Total Free Address 02	\$55,239.00