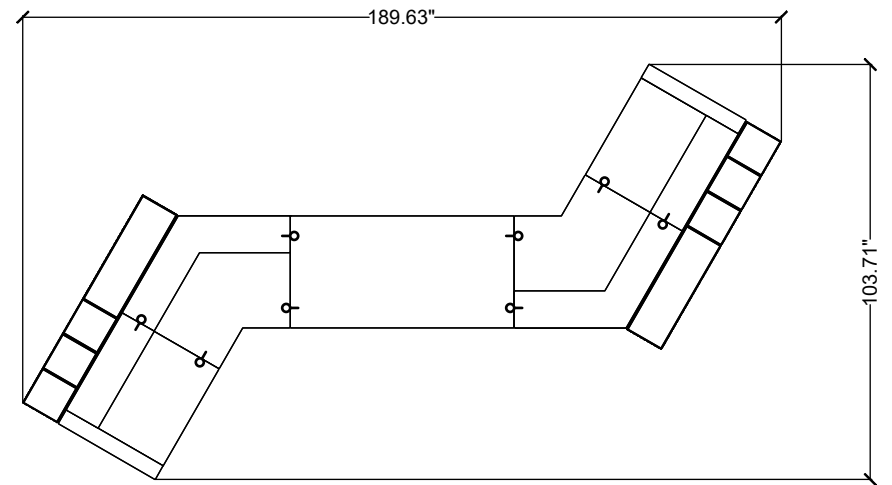


stylex

VINA 14



Materials priced in Grade B Fabric. This specification is for budget purposes and reflects list pricing.



VINA 14

LINE	PART NUMBER	PART DESCRIPTION	QTY	LIST	EXT. LIST
1	VNP103028	Vina, Planter, Triple, 10D x 30W, 28H	2	\$1,799.00	\$3,598.00
2	VNS103028	Vina, Surface, 10D x 30W, 28H	2	\$2,321.00	\$4,642.00
3	SH0126	Share, Bench, Two-Seater, Lounge Height, Standard Upholstery	1	\$2,804.00	\$2,804.00
4	SH546	Share, Arm, 24H, Standard Upholstery	2	\$751.00	\$1,502.00
5	SH1116	Share, Chair, Single-Seater, Lounge Height, Standard Upholstery	2	\$2,752.00	\$5,504.00
6	SH1246	Share, Chair, 120 Corner, Lounge Height, Standard Upholstery	2	\$4,480.00	\$8,960.00
				Quote Total:	\$27,010.00