

stylex

Cove Tables

PRICE LIST

Effective November 01, 2023

General Information

STYLEX PRICE LIST

GENERAL INFORMATION

Terms

Net 30 days from date of invoice,
F. O. B . Delanco, New Jersey.

Damaged Shipments

All Stylex products are carefully inspected before they are packed in sturdy cartons designed to satisfy shipping requirements. Stylex is not responsible for damage in shipment. The transportation company assumes responsibility for delivering products to you in good condition when the bill of lading is signed. You protect yourself by refusing shipments showing damage or shortage until transportation company has noted on the delivery sheet the extent of damage or shortage. Concealed damage should be reported to the carrier as soon as discovered, but no later than 5 days after receiving shipment.

Return/Restocking Policy

Return shipments will not be accepted unless specifically authorized by Stylex in writing. The Return Authorization number should be clearly marked on the carton. The customer returning Stylex products is responsible for return shipping costs. Merchandise must be returned unused. Returned merchandise is subject to a 35% restocking fee.

Custom Products

Modifications to standard products will be considered for large runs. Contact factory for price quotations.

Design Changes

In keeping with modern manufacturing advances, Stylex reserves the right to incorporate minor modifications and design changes in products without notice.

Cancellation/Change Order Policy

Regarding requests for order cancellation and/or order modification, please be advised that no charges will be applied before production, unless inventory has been specifically requisitioned to fulfill your order. Once orders proceed to the production phase, they cannot be altered or canceled under any circumstances. All requests for order cancellations or order changes must be submitted in writing and will only be considered valid upon approval by Stylex.

WARRANTY

Except as provided below, Stylex warrants exclusively to the original Purchaser of our product that all parts, under normal use and service, will be free from defects in workmanship and material for a period of ten (10) years from the date of purchase. "Normal use and service" means that the product will be used in a typical office environment for 40-45 hours per week.

This warranty is subject to the following limitations, exclusions and provisions:

Limitations involving materials and components:

Wood components of plywood stacking chairs
(such as Brooks and Welcome)
5 years

Upholstery

(including mesh used for Click, F4, Insight, and Zephyr Mesh)
3 years

SAVA Mesh

10 years

COM Upholstery

No warranty
Stylex makes every effort to ensure that the COM Upholstery it approves is suitable for the intended use. Nevertheless, we will not warrant, and assume no responsibility for, the durability or tailoring quality of any COM or COL. If you have any concerns about the ultimate appearance of any covering, please order an upholstered sample.

Painted Stack Chair Frames

No Warranty

We will not warrant the finish of painted stack chair frames against damage from stacking. Please order chrome frames for chairs that will be stacked.

Felt Glides

No warranty

Due to the different surfaces on which felt glides may be used, we cannot warrant their durability over time.

If this product fails during normal use and service within the applicable warranty period (other than through normal wear and tear), please send a description of the relevant part and the nature of the defect, together with proof of purchase of the product to qm@stylexdesign.com. PLEASE DO NOT RETURN PARTS OR THE PRODUCT TO STYLEX UNLESS INSTRUCTED TO DO SO BY STYLEX. Stylex will, at its discretion, either repair or replace the defective product or part at no cost. Labor requests must receive approval and will be authorized on a case-by-case basis. We will only reimburse for labor costs directly incurred, excluding any travel-related expenses. Purchaser may be required (at the option of Stylex) to return to Stylex at Purchaser's expense any defective part with all freight or shipping charges prepaid. The foregoing warranty shall be void if the product has been altered or repaired (other than by Stylex). The warranty does not cover damage to the product caused by accident, neglect, misuse, abuse, modification to the product by anyone other than Stylex or damage caused by use of the product for a purpose other than that for which it was designed. This warranty extends only to the original Purchaser of the product.

No Other Warranties

This warranty is in lieu of all other warranties, expressed or implied, including, but not limited to, implied warranties of merchantability and fitness for a particular purpose. The rights and remedies provided herein are the exclusive rights and remedies of the original purchaser of the product.

No Liability For Damages

In no event shall Stylex or its suppliers be responsible or liable for any special, indirect, consequential, or incidental damages. In no event shall the liability of Stylex exceed the actual purchase price paid to Stylex for the product.

Out of Warranty Products

For all products no longer covered by our warranty, please refer to our Design for Durability and Upgradability Policy. Contact Customer Service if you would like to purchase any replaceable components to further extend the life of any Stylex seating product. This warranty applies to all Stylex products purchased on April 13, 2018, and thereafter.

PRODUCT TAKE BACK PROGRAM

In order to be good stewards of our products, Stylex offers a pathway towards a Product Take Back Program as a more viable solution to the end of our products' originally intended life.

Stylex supports the sustainable programs of ANEW and offers their added value to our clients through a comprehensive take-back solution for surplus office furniture and materials of any kind, in any condition. ANEW is a 501(c)(3) non-profit organization that exists to provide companies with smart, cost effective alternatives for their surplus furniture and other items with the priority of matching it to non-profits, public agencies and the underserved, within the local community of the project site. Corporate Social Responsibility is raised while the impact on the environment is lowered by diverting products and materials otherwise destined for landfill.

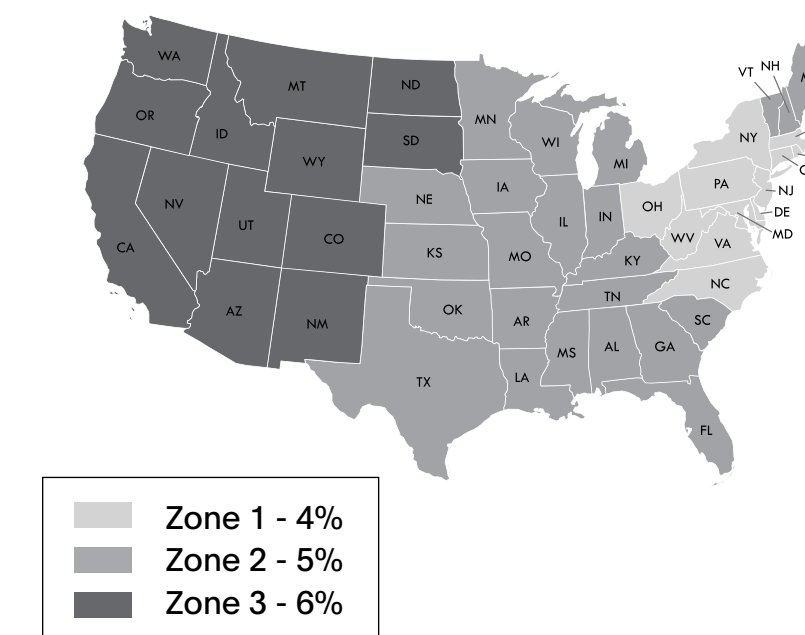
Stylex is proud to offer ANEW to customers dedicated to strengthening their community network by repurposing their furniture, fixtures and architectural materials to those in need. In 2014, Stylex committed to making this relationship a part of our strategic sales strategy. Visit www.anewfound.org to find out more.

To initiate a Product Take Back strategy through ANEW, contact Stylex Customer Service at 800-257-5742.

For other end of life recovery options, please see our Product Disassembly Instructions and End of Life Recovery Options documents available on our website in the resources section of each product in our line.

FREIGHT PROGRAM

Freight charges will be calculated as a percentage of the net product price and added to the invoice at the time of shipment. The continental United States has been divided into three zones. Please use the map below to determine freight charges for the product's destination. Minimum freight charge is \$150. Please let us know if you will be shipping to a residential address or require inside delivery as this requires an additional fee. Also please note we need to be made aware if a liftgate is required prior to delivery. If any requests are made at the time of delivery, applicable charges will apply.



ZONE 1 - 4%

Connecticut
Delaware
New York
New Jersey
Maryland
Massachusetts
North Carolina
Ohio
Pennsylvania
Rhode Island
Virginia
Washington D.C.
West Virginia

ZONE 2 - 5%

Alabama
Arkansas
Canada, Ontario
Canada, Quebec
Florida
Georgia
Iowa
Illinois
Indiana
Kansas
Kentucky
Louisiana
Nebraska
New Hampshire
Oklahoma
Maine
Michigan
Minnesota
Missouri
Mississippi
South Carolina
Tennessee
Texas
Vermont
Wisconsin

ZONE 3 - 6%

Arizona
California
Colorado
Idaho
Montana
Nevada
New Mexico
North Dakota
Oregon
South Dakota
Utah
Washington
Wyoming

Quote Per Project

Alaska
Hawaii
Canada
(outside Ontario & Quebec)
Mexico

General Information

STYLEX PRICE LIST

TEXTILE PARTNERS & APPROVALS

Textile Partners

To customize your furniture performance needs and design vision, Stylex offers a wide selection of in-graded leathers and textiles from Grades A through Y. We've partnered with leading manufacturers on the options, focusing on color, price, durability, and construction. To view our partners and explore our digital carded program with broadly approved textiles, visit [this page](#). We stand by these textiles: They're tried and tested, and will effortlessly fit into any design aesthetic.

Textile Approvals

All textiles must be approved for the product you are specifying. For the related approved textile lists, visit [this page](#).

CAL 117 AND 133 COMPLIANCE

CAL 117-2013

All Stylex seating satisfies the requirements of CAL 117-2013 so long as one of our standard or in-graded fabrics is applied. COM textiles cannot be so guaranteed. Please contact the supplier of COM's directly to determine the fire retardancy of any COM supplied to us.

CAL 133

Most Stylex seating can be ordered to meet the requirements of CAL 133. When ordering, simply specify "CAL 133 compliance required". The upcharge for this option is \$54 list per yard. Please refer to the COM yardage of each model to determine the number of yards required. We do frequently require full-scale burn tests in order to certify CAL 133 before an order will be accepted. Such burn tests may increase normal lead times and do carry additional charges. Please contact customer service for details.

CUSTOMER'S OWN MATERIAL/LEATHER

Customer's own material (COM) and customer's own leather (COL) will generally be upholstered at the price designated in each product's price list. Please be advised, however, that we specifically reserve the right to charge a higher price when we determine that special circumstances, such as unusual repeats or challenging materials, present themselves. All orders for custom coverings must be approved by Stylex before they will be accepted for production. To submit proposed textile for approval, please use the COM form [here](#).

Special Note:

We assume no responsibility for the durability or tailoring quality of any COM or COL. Directional covers in particular may not meet your satisfaction due to the design of certain products. Please be advised that COM and COL orders are not subject to return. If you have doubts about the ultimate appearance of certain coverings, please order a sample done with that specific COM or COL. In addition, while we inspect fabrics for mill imperfections, some are difficult to recognize. We cannot be responsible for defects, color inaccuracies, dye lot variations, or other flaws.

Under no circumstances will we be responsible for COM shortages, flaws, or other such problems. Finally, it is not our responsibility to police the receipt of COM's in order to meet delivery deadlines, and we assume our customers are aware of any undue delay in the shipment of their COM fabrics.

COM fabric and COL leather should be sent prepaid to: Stylex

**Attn: COM/COL - [Your PO #]
740 Coopertown Road
Delanco, NJ 08075**

Clearly mark fabric or leather with the dealers name, purchase order number, and furniture model number of the item to be covered. Actual furniture orders should include the same information, as well as a description of the fabric or leather, including pattern and color number, in order to provide a cross reference.

Yardage requirements shown in the price list are based on non-directional goods of 54" width. Fabrics less than 54" wide or those requiring matching (stripes, prints, or large patterned designs) call for additional yardage. We will be happy to supply yardage requirements for large quantities where economies may be realized.

Add the following yardage for stripes, plaids, or patterns with repeats:

Fabric Width	Plain Fabric	2-14" Repeat	15-24" Repeat	25-27" Repeat	28-36" Repeat
54"	0%	10%	15%	20%	25%
50"	10%	20%	25%	30%	35%
48"	15%	25%	30%	35%	40%
45"	40%	50%	55%	60%	65%
36"	50%	60%	65%	70%	75%

COM/COL FORM

To avoid delay in processing COM orders we request that you submit a sample of your COM fabric stapled to this form which can be downloaded [here](#). If a fabric has a stripe or design, the size of the repeat should be indicated. Please indicate the fabric supplier's name, fabric number, and color. Also indicate the Stylex product on which the fabric will be used.

The fabric supplier must indicate on his shipping labels the dealer name and purchase order number as well as the Stylex model number.

Please Note:

No order may be entered into production or have a shipping date assigned until all related COM is received at the factory.



CENTER OF STRIPE OR DESIGN

TOP OF CHAIR	TOP OF CHAIR
--------------	--------------

1. Size of Repeat

2. Fabric Supplier

3. Fabric Number

4. Color

5. Stylex Product

Cove Tables

Contents

COLORS, MATERIALS, AND FINISHES	5
STATEMENT OF LINE	6
POWER OPTIONS	7
HOW TO ORDER	8

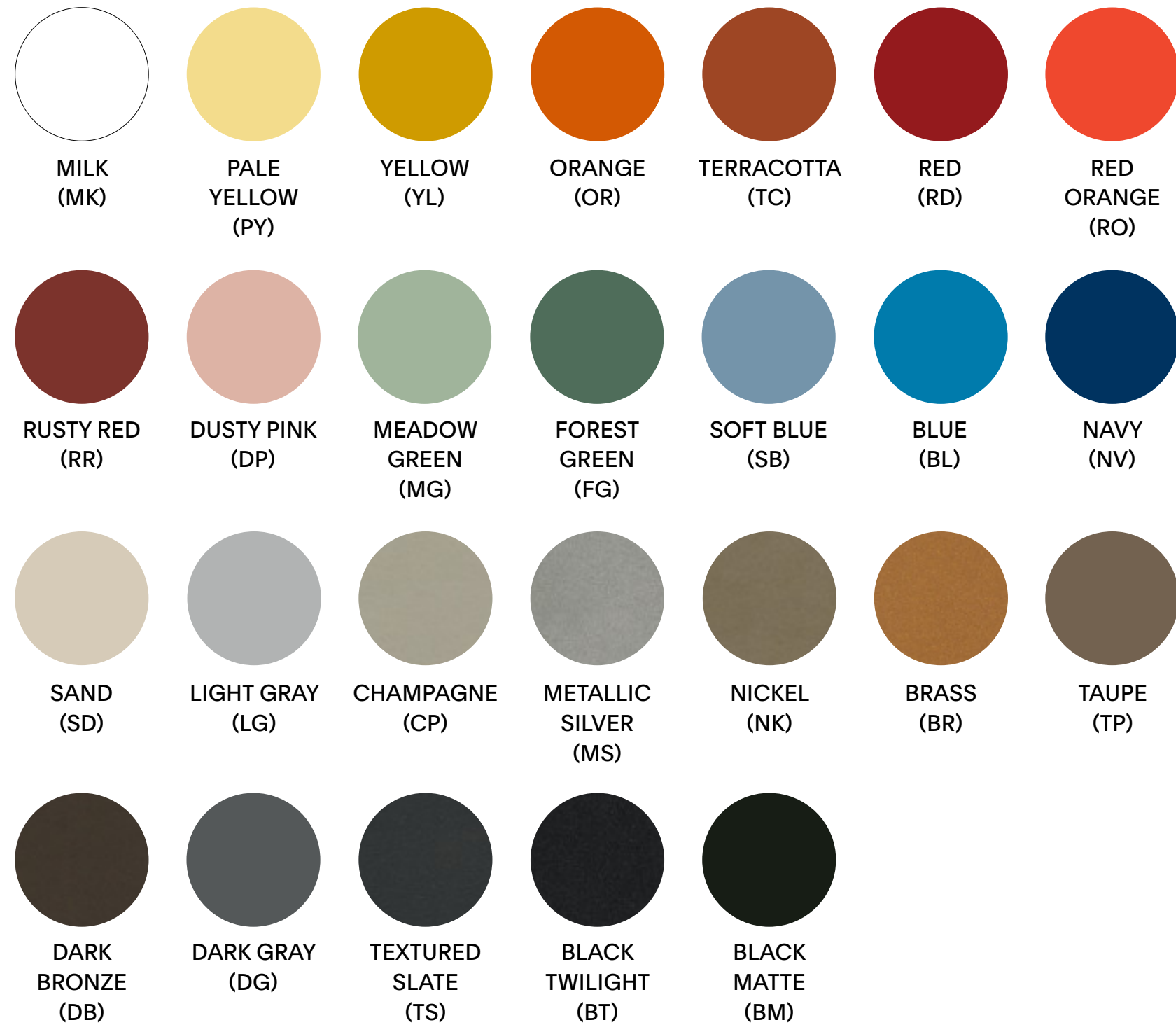
OCCASIONAL TABLE	9
MULTI-PURPOSE TABLE	14
COUNTER/BAR TABLE	21

CLICK THE TITLES ABOVE TO NAVIGATE THROUGH THE DOCUMENT
PRODUCT HEADERS ON SUBSEQUENT PAGES LINK BACK TO THIS PAGE

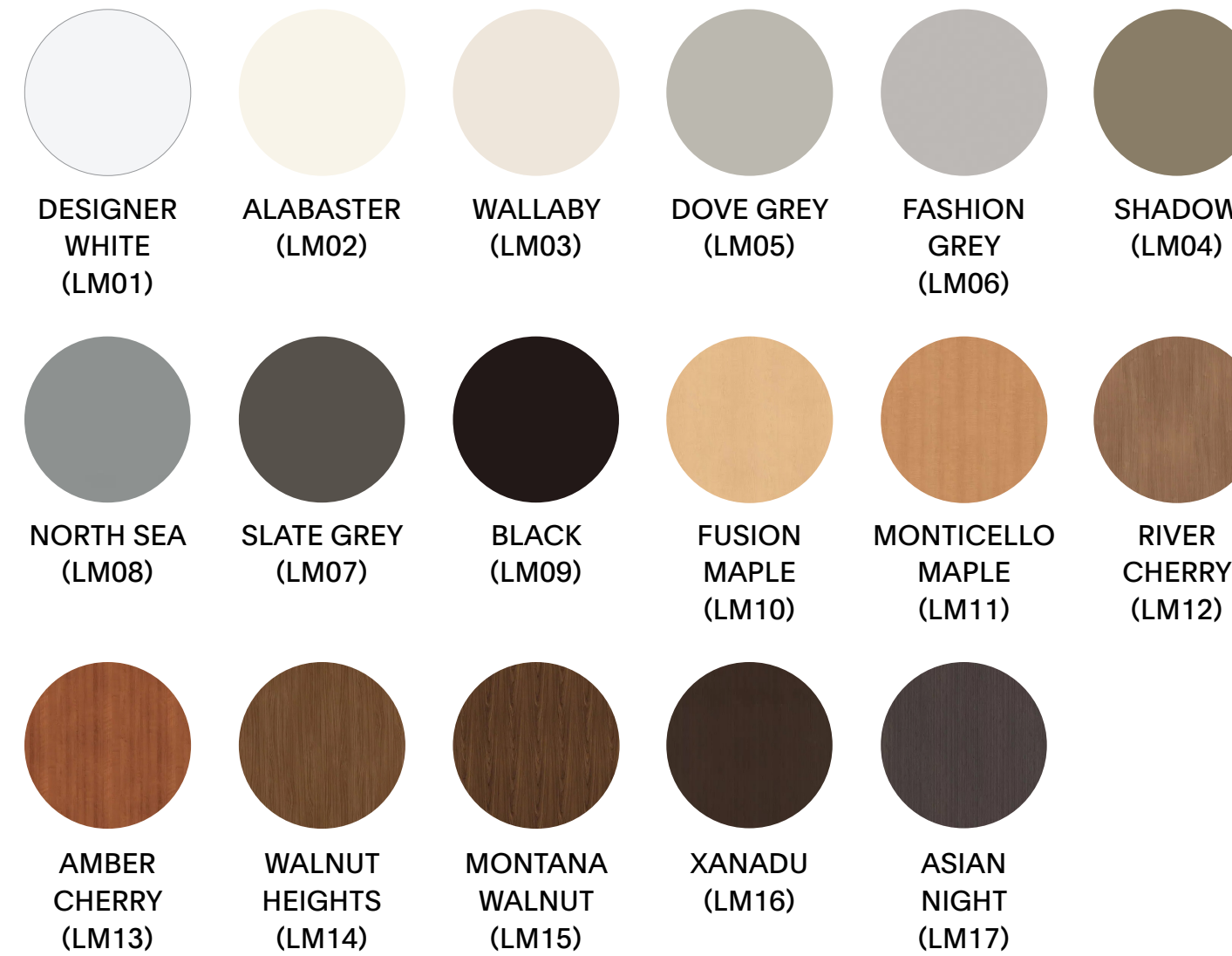
Cove Tables

COLORS, MATERIALS, AND FINISHES

POWDER COATED PAINTED METAL FINISHES



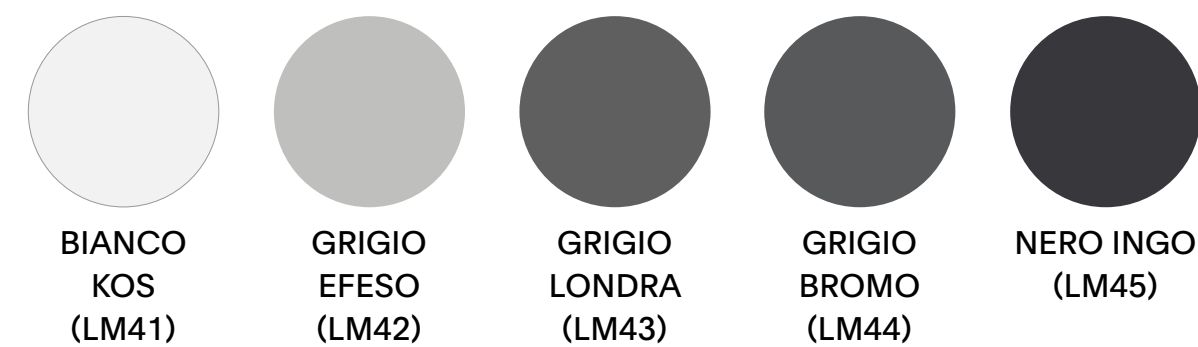
GRADE 1 LAMINATE FINISHES



GRADE 1 WOOD VENEER FINISHES

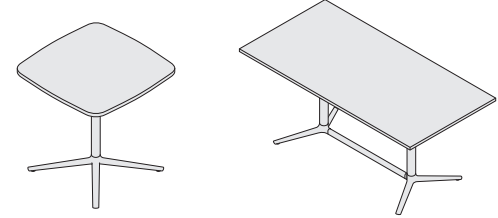
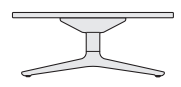

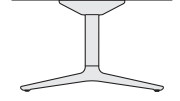

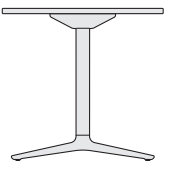
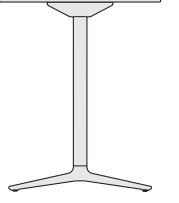
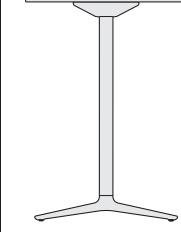


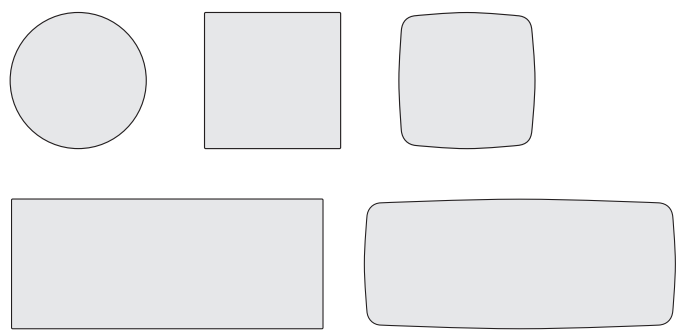
GRADE 2 LAMINATE FINISHES




Cove Tables

SPECIFICATION GUIDE: STATEMENT OF LINE

BASES	OCCASIONAL			MULTI-PURPOSE		COUNTER/BAR	
Table Heights For Single and Dual Bases 	Low Coffee 12" Height 	Coffee 15" Height 	End 18" Height 	Work 26" Height 	Dining 28.5" Height 	Counter 36" Height 	Bar 42" Height 

TOPS	ROUND TOPS		RECTANGLE TOPS			
Top Shapes/Sizes Round True Rectangle Soft Rectangle 	For Single Bases 30" 36"	Base Size S L	For Single Bases 24" x 30" 27" x 27" 30" x 30" 36" x 36"	Base Size S S L L	For Dual Bases* 30" x 48" (Multi-Purpose Only) 30" x 56" 30" x 60" 30" x 72" 30" x 84" 30" x 96" 30" x 108" 36" x 56" 36" x 60" 36" x 72" 36" x 84" 36" x 96" 36" x 108" 42" x 56" 42" x 60" 42" x 72" 42" x 84" 42" x 96" 42" x 108"	* Dual Base Occasional Tables are not offered in 84", 96" and 108" lengths. There is only one size base for all dual base tables.

Edge Details	Straight Edge1		Reverse Bevel 2	
Available on all Top Shapes 				

PRODUCT INFORMATION

Design

Stylex Design Team

Bases

Cove bases are comprised of a top mounting plate, column, and base. Base Sizes are small, large, or dual. Bases are available in Stylex's standard powder coat metal finishes. Bases can be flat packed or assembled for an additional charge.

Glides

Bases feature adjustable leveling glides, available in both hard and soft plastic. Hard plastic glides are recommended for carpet and soft plastic for flooring. Please be advised, sliding tables on hard surface flooring will result in scuffing or damage.

Cable Management

All bases with power offer cable management - See [page 7](#).

Top Edge Banding

Edge Banding is determined by top material finish.

Laminate Grade 1: 2mm PVC Edgeband

Laminate Grade 2: 1mm ABS Edgeband

Wood Veneer: 3mm Wood Veneer Edgeband

Reverse Bevel Surface Finish is determined by top material and finish. Laminate is sealed with a coordinating finish.

Wood Veneer "Natural" Finishes are clear sealed MDF. Non-"Natural" Finishes are stained and sealed to coordinate with veneer finish.

Custom Top Finishes

Non-standard laminates (LM99) will be quoted per color. Please contact Stylex customer service with the manufacturer's name and laminate color reference number.

For non-standard wood veneer (WV99), two 4" x 4" samples are required with, or before, order placement for each custom stain. A custom color match fee of \$450.00 will apply per color. Please contact customer service for details.

Use

Designed for indoor use only.

Performance Standards

Manufactured to comply with:

ANSI/BIFMA X5.4 Lounge Seating Tests

Certifications


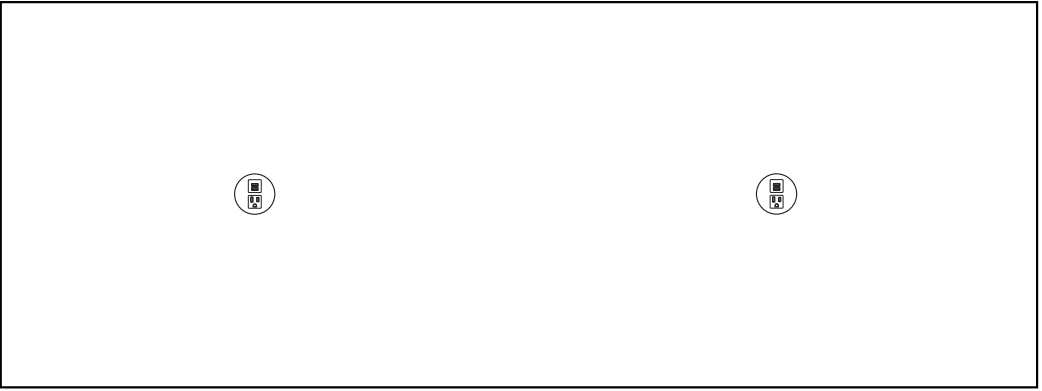
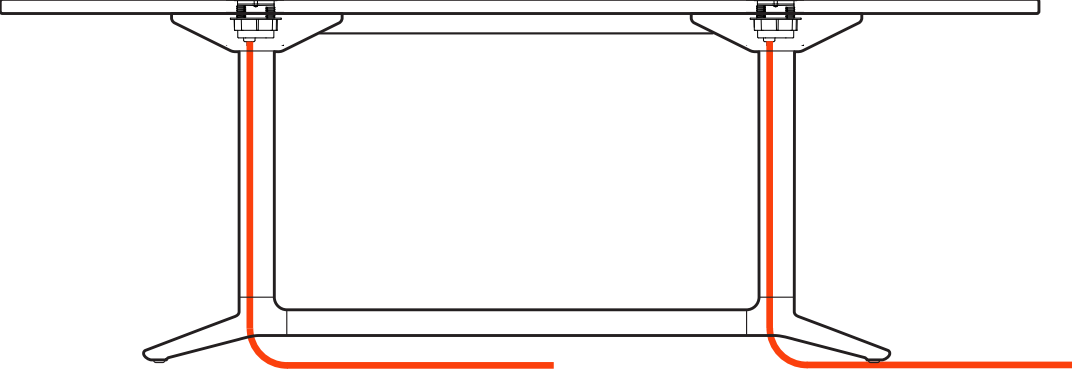
Greenguard Gold - Laminate

Greenguard - Wood Veneer

LEVEL® 2

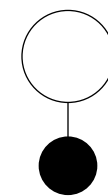
Cove Tables

SPECIFICATION GUIDE: POWER OPTIONS

		CABLE LENGTH	MODEL	LIST PRICE	POSITIONS	PRODUCT INFORMATION
Surface Mount Byrne Node Power Port 	One grounded AC outlet / 2 USB Powder coated cover plate Prop 65 Compliant Colors: Black, White	10 ft. Cord	S1	513	<div style="display: flex; justify-content: space-around;"> <div style="text-align: center;"> Position 1  </div> <div style="text-align: center;"> Position 2  </div> </div>	Surface mount power is only available for Dual Base tables. Power units are directly installed above the column. Cords are threaded through the column during set up and pass through an open area beneath the base. The power model number is added to the end of the table top model number.
		10 ft. Hardwire Whip	SHW1	667		
		20 ft. Cord	S2	547		

To Order Select Below

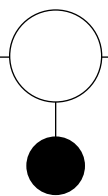
1. Mount



Mount

S SURFACE

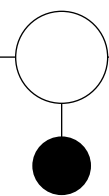
2. Power Port Type



Power Port

1	BYRNE NODE SURFACE MOUNT WITH PLUG	10FT CORD
HW1	BYRNE NODE SURFACE MOUNT WITH HARD WIRE	10FT HARDWIRE WHIP
2	BYRNE NODE SURFACE MOUNT WITH PLUG	20FT CORD

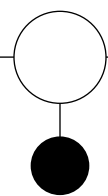
3. Color



Color

B BLACK
W WHITE

4. Power Position



Power Position

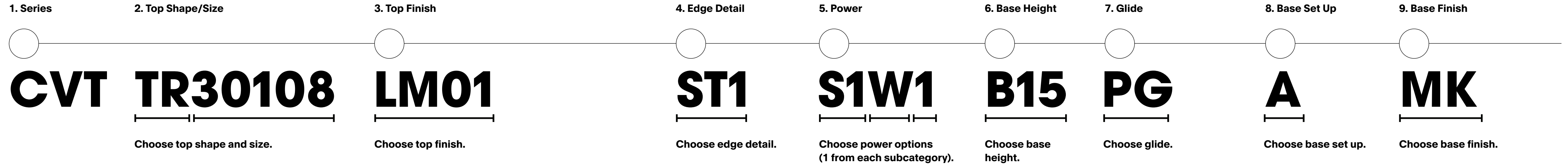
1 POWER POSITION 1
2 POWER POSITION 2

Cove Tables

SPECIFICATION GUIDE: HOW TO ORDER

MODEL CODE BREAKDOWN

Sample Model Code: CVTTR30108LM01ST1S1W1B15PGAMK

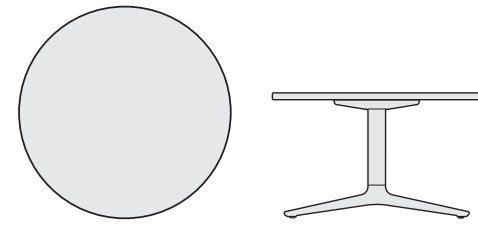


Series CVT – COVE TABLES	Top Shape RD – ROUND TR – TRUE RECTANGLE SR – SOFT RECTANGLE	Top Size 30000 – 30" 36000 – 36" 24030 – 24" x 30" 27027 – 27" x 27" 30030 – 30" x 30" 36036 – 36" x 36" 30048 – 30" x 48" 30056 – 30" x 56" 30060 – 30" x 60" 30072 – 30" x 72" 30084 – 30" x 84" 30096 – 30" x 96" 30108 – 30" x 108" 36056 – 36" x 56" 36060 – 36" x 60" 36072 – 36" x 72" 36084 – 36" x 84" 36096 – 36" x 96" 36108 – 36" x 108" 42056 – 42" x 56" 42060 – 42" x 60" 42072 – 42" x 72" 42084 – 42" x 84" 42096 – 42" x 96" 42108 – 42" x 108"	Top Finish Laminate Grade 1 LM01 – DESIGNER WHITE LM02 – ALABASTER LM03 – WALLABY LM04 – SHADOW LM05 – DOVE GREY LM06 – FASHION GREY LM07 – SLATE GREY LM08 – NORTH SEA LM09 – BLACK LM10 – FUSION MAPLE LM11 – MONTICELLO MAPLE LM12 – RIVER CHERRY LM13 – AMBER CHERRY LM14 – WALNUT HEIGHTS LM15 – MONTANA WALNUT LM16 – XANADU LM17 – ASIAN NIGHT Laminate Grade 2 LM41 – BIANCO KOS LM42 – GRIGIO EFESO LM43 – GRIGIO LONDRA LM44 – GRIGIO BROMO LM45 – NERO INGO	Veneer Grade 1 WV01 – LIGHT GREY WV02 – WARM GREY WV03 – OPAQUE BLACK WV04 – MEDIUM CHERRY WV05 – TONED ASH WV06 – NATURAL MAPLE WV41 – TONED RECON WALNUT WV42 – DARK TONED OAK WV43 – TONED WENGE WV44 – TONED OAK WV45 – TONED RECON OAK WV46 – NATURAL FLAT CUT WALNUT WV47 – NATURAL RIFT CUT WALNUT WV48 – NATURAL WHITE OAK WV49 – NATURAL RECON WHITE OAK Custom Top Finish LM99 – CUSTOM LAMINATE WV99 – CUSTOM WOOD VENEER	Top Edge Detail ST1 – STRAIGHT EDGE 1 RB2 – REVERSE BEVEL 2	Power Port Type S1 – BYRNE NODE SURFACE MOUNT WITH PLUG AND 10FT CORD SHW1 – BYRNE NODE SURFACE MOUNT WITH HARD WIRE AND 10FT WHIP S2 – BYRNE NODE SURFACE MOUNT WITH PLUG AND 20FT CORD Port Color B – BLACK W – WHITE Port Position 1 – POSITION 1 2 – POSITION 2	Base Height B12 – 12" B15 – 15" B18 – 18" B26 – 26" B29 – 28.5" B36 – 36" B42 – 42" Base size is automatically assigned during order entry.	Glide PG – PLASTIC, CARPET SG – SOFT PLASTIC, FLOOR All glides are adjustable. Soft plastic glides are not designed for sliding tables.	Base Set Up F – FLAT PACKED A – ASSEMBLED	Base Finish Standard Powder Coat BL – BLUE BR – BRASS BM – BLACK MATTE BT – BLACK TWILIGHT CP – CHAMPAGNE DB – DARK BRONZE DG – DARK GRAY DP – DUSTY PINK FG – FOREST GREEN LG – LIGHT GRAY MG – MEADOW GREEN MK – MILK MS – METALLIC SILVER NK – NICKEL NV – NAVY OR – ORANGE PY – PALE YELLOW RD – RED RO – RED ORANGE RR – RUSTY RED SB – SOFT BLUE SD – SAND TC – TERRACOTTA TP – TAUPE TS – TEXTURED SLATE YL – YELLOW
------------------------------------	--	---	---	--	--	---	--	--	--	--

Cove Tables

OCCASIONAL TABLE: ROUND

Occasional Table Round Top Single Base	Height options: 12", 15", 18" Height adjustable glides Base ships flat packed or assembled	SERIES	STYLE	TOP DIA.	BASE SIZE	Laminate Top Edge/Finish				Wood Veneer Top Edge/Finish	
						STRAIGHT EDGE 1		REVERSE BEVEL 2		STRAIGHT EDGE 1	REVERSE BEVEL 2
						GRADE 1	GRADE 2	GRADE 1	GRADE 2	GRADE 1	GRADE 1
		CVT	RD	30	S	1,185	1,790	1,865	2,072	1,888	2,198
				36	L	1,407	2,087	2,126	2,404	2,267	2,641



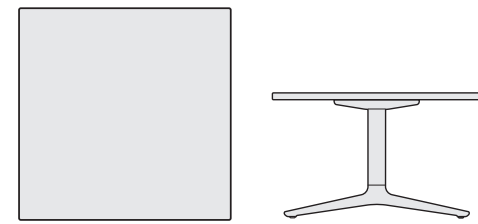
To Order Select Below

1. Series/Style	2. Top Size	3. Top Finish	4. Top Edge Detail	5. Power	6. Base Height	7. Glide	8. Base Set Up	9. Base Finish
<p>CVTRD</p> <p>Cove Table Round Top</p>	<p>30000 30 DIA.</p> <p>36000 36</p>	<p>Laminate - Grade 1</p> <p>LM01 DESIGNER WHITE</p> <p>LM02 ALABASTER</p> <p>LM03 WALLABY</p> <p>LM05 DOVE GREY</p> <p>LM06 FASHION GREY</p> <p>LM04 SHADOW</p> <p>LM08 NORTH SEA</p> <p>LM07 SLATE GREY</p> <p>LM09 BLACK</p> <p>LM10 FUSION MAPLE</p> <p>LM11 MONTICELLO MAPLE</p> <p>LM12 RIVER CHERRY</p> <p>LM13 AMBER CHERRY</p> <p>LM14 WALNUT HEIGHTS</p> <p>LM15 MONTANA WALNUT</p> <p>LM16 XANADU</p> <p>LM17 ASIAN NIGHT</p> <p>Laminate - Grade 2</p> <p>LM41 BIANCO KOS</p> <p>LM42 GRIGIO EFESO</p> <p>LM43 GRIGIO LONDRA</p> <p>LM44 GRIGIO BROMO</p> <p>LM45 NERO INGO</p> <p>Wood Veneer - Grade 1</p> <p>WV05 TONED ASH</p> <p>WV06 NATURAL MAPLE</p> <p>WV49 NATURAL RECON WHITE OAK</p> <p>WV45 TONED RECON OAK</p> <p>WV44 TONED OAK</p> <p>WV48 NATURAL WHITE</p> <p>WV01 LIGHT GREY</p> <p>WV46 NATURAL FLAT CUT WALNUT</p> <p>WV47 NATURAL RIFT CUT WALNUT</p> <p>WV41 TONED RECON WALNUT</p> <p>WV04 MEDIUM CHERRY</p> <p>WV43 TONED WENGE</p> <p>WV02 WARM GREY</p> <p>WV42 DARK TONED OAK</p> <p>WV03 OPAQUE BLACK</p> <p>Custom Finish</p> <p>LM99 CUSTOM LAMINATE</p> <p>WV99 CUSTOM WOOD</p> <p>See page 6 for custom laminate and custom wood details.</p>	<p>Top Edge Detail</p> <p>ST1 STRAIGHT EDGE 1</p> <p>RB2 REVERSE BEVEL 2</p> <p>ST1</p> <p>RB2</p> <p>Grade 1 laminate edge has a 2mm PVC edge. Grade 2 laminate has a 1mm ABS edge. Wood edge has a 3mm wood veneer edge.</p>	<p>Power is unavailable as a standard option for Cove Tables with a single column.</p>	<p>Base Height</p> <p>B12 12"</p> <p>B15 15"</p> <p>B18 18"</p> <p>Base size is automatically assigned during order entry.</p>	<p>Glide</p> <p>PLASTIC, PG CARPET</p> <p>SOFT PLASTIC, SG FLOOR</p> <p>All glides are adjustable. Soft plastic glides are not designed for sliding tables.</p>	<p>Base Set Up</p> <p>F PACKED</p> <p>A ASSEMBLED +68</p>	<p>Standard Powder Coated Metal</p> <p>BL BLUE</p> <p>NK NICKEL</p> <p>BM BLACK MATTE</p> <p>NV NAVY</p> <p>BR BRASS</p> <p>OR ORANGE</p> <p>BT BLACK TWILIGHT</p> <p>PY PALE YELLOW</p> <p>CP CHAMPAGNE</p> <p>RD RED</p> <p>DB DARK BRONZE</p> <p>RO RED ORANGE</p> <p>DG DARK GRAY</p> <p>RR RUSTY RED</p> <p>DP DUSTY PINK</p> <p>SB SOFT BLUE</p> <p>FG FOREST GREEN</p> <p>SD SAND</p> <p>LG LIGHT GRAY</p> <p>TC TERRACOTTA</p> <p>MG MEADOW GREEN</p> <p>TP TAUPE</p> <p>MK MILK</p> <p>TS TEXTURED SLATE</p> <p>MS METALLIC SILVER</p> <p>YL YELLOW</p>

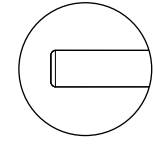
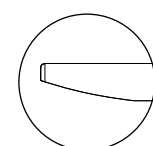
Cove Tables

OCCASIONAL TABLE: TRUE RECTANGLE

Occasional Table True Rectangle Top Single Base	Height options: 12", 15", 18" Height adjustable glides Base ships flat packed or assembled	SERIES	STYLE	WIDTH	LENGTH	BASE SIZE	Laminate Top Edge/Finish				Wood Veneer Top Edge/Finish	
							STRAIGHT EDGE 1		REVERSE BEVEL 2		STRAIGHT EDGE 1	REVERSE BEVEL 2
							GRADE 1	GRADE 2	GRADE 1	GRADE 2	GRADE 1	GRADE 1
		CVT	TR	24	30	S	1,140	1,462	1,706	1,736	1,697	1,930
				27	27	S	1,141	1,754	1,710	2,023	1,739	1,930
				30	30	L	1,213	1,820	1,847	2,102	1,833	2,146
				36	36	L	1,426	2,339	2,118	2,654	2,206	2,581



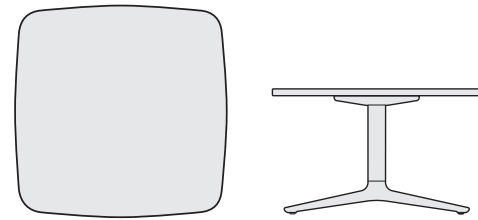
To Order Select Below

1. Series/Style	2. Top Size	3. Top Finish	4. Top Edge Detail	5. Power	6. Base Height	7. Glide	8. Base Set Up	9. Base Finish		
<p>CVTRR</p> <p>Cove Table True Rectangle Top</p>	<p>24030 24W x 30L</p> <p>27027 27W x 27L</p> <p>30030 30W x 30L</p> <p>36036 36W x 36L</p>	<p>Laminate - Grade 1</p> <p>LM01 DESIGNER WHITE</p> <p>LM02 ALABASTER</p> <p>LM03 WALLABY</p> <p>LM05 DOVE GREY</p> <p>LM06 FASHION GREY</p> <p>LM04 SHADOW</p> <p>LM08 NORTH SEA</p> <p>LM07 SLATE GREY</p> <p>LM09 BLACK</p> <p>LM10 FUSION MAPLE</p> <p>LM11 MONTICELLO MAPLE</p> <p>LM12 RIVER CHERRY</p> <p>LM13 AMBER CHERRY</p> <p>LM14 WALNUT HEIGHTS</p> <p>LM15 MONTANA WALNUT</p> <p>LM16 XANADU</p> <p>LM17 ASIAN NIGHT</p>	<p>Laminate - Grade 2</p> <p>LM41 BIANCO KOS</p> <p>LM42 GRIGIO EFESO</p> <p>LM43 GRIGIO LONDRA</p> <p>LM44 GRIGIO BROMO</p> <p>LM45 NERO INGO</p> <p>Custom Finish</p> <p>LM99 CUSTOM LAMINATE</p> <p>WV99 CUSTOM WOOD</p> <p>See page 6 for custom laminate and custom wood details.</p>	<p>Wood Veneer - Grade 1</p> <p>WV05 TONED ASH</p> <p>WV06 NATURAL MAPLE</p> <p>WV49 NATURAL RECON WHITE OAK</p> <p>WV45 TONED RECON OAK</p> <p>WV44 TONED OAK</p> <p>WV48 NATURAL WHITE</p> <p>WV01 LIGHT GREY</p> <p>WV46 NATURAL FLAT CUT WALNUT</p> <p>WV47 NATURAL RIFT CUT WALNUT</p> <p>WV41 TONED RECON WALNUT</p> <p>WV04 MEDIUM CHERRY</p> <p>WV43 TONED WENGE</p> <p>WV02 WARM GREY</p> <p>WV42 DARK TONED OAK</p> <p>WV03 OPAQUE BLACK</p>	<p>Top Edge Detail</p> <p>ST1 STRAIGHT EDGE 1</p> <p>RB2 REVERSE BEVEL 2</p> <p> ST1</p> <p> RB2</p> <p>Grade 1 laminate edge has a 2mm PVC edge. Grade 2 laminate has a 1mm ABS edge. Wood edge has a 3mm wood veneer edge.</p>	<p>Power</p> <p>Power is unavailable as a standard option for Cove Tables with a single column.</p>	<p>Base Height</p> <p>B12 12"</p> <p>B15 15"</p> <p>B18 18"</p> <p>Base size is automatically assigned during order entry.</p>	<p>Glide</p> <p>PLASTIC, PG CARPET</p> <p>SOFT PLASTIC, SG FLOOR</p> <p>All glides are adjustable. Soft plastic glides are not designed for sliding tables.</p>	<p>Base Set Up</p> <p>F PACKED</p> <p>A ASSEMBLED +68</p>	<p>Standard Powder Coated Metal</p> <p>BL BLUE</p> <p>NK NICKEL</p> <p>BM BLACK MATTE</p> <p>NV NAVY</p> <p>BR BRASS</p> <p>OR ORANGE</p> <p>BT BLACK TWILIGHT</p> <p>PY PALE YELLOW</p> <p>CP CHAMPAGNE</p> <p>RD RED</p> <p>DB DARK BRONZE</p> <p>RO RED ORANGE</p> <p>DG DARK GRAY</p> <p>RR RUSTY RED</p> <p>DP DUSTY PINK</p> <p>SB SOFT BLUE</p> <p>FG FOREST GREEN</p> <p>SD SAND</p> <p>LG LIGHT GRAY</p> <p>TC TERRACOTTA</p> <p>MG MEADOW GREEN</p> <p>TP TAUPE</p> <p>MK MILK</p> <p>TS TEXTURED SLATE</p> <p>MS METALLIC SILVER</p> <p>YL YELLOW</p>

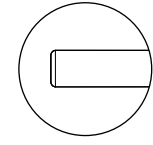
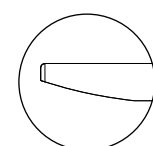
Cove Tables

OCCASIONAL TABLE: SOFT RECTANGLE

	SERIES	STYLE	WIDTH	LENGTH	BASE SIZE	Laminate Top Edge/Finish				Wood Veneer Top Edge/Finish	
						STRAIGHT EDGE 1		REVERSE BEVEL 2		STRAIGHT EDGE 1	REVERSE BEVEL 2
						GRADE 1	GRADE 2	GRADE 1	GRADE 2	GRADE 1	GRADE 1
Occasional Table Soft Rectangle Top Single Base Height options: 12", 15", 18" Optional power through column Height adjustable glides Base ships flat packed or assembled	CVT	SR	24	30	S	1,157	1,442	1,706	1,736	1,768	1,956
			27	27	S	1,160	1,724	1,710	2,023	1,669	1,956
			30	30	L	1,233	1,780	1,834	2,092	1,964	2,164
			36	36	L	1,447	2,299	2,126	2,660	2,267	2,641



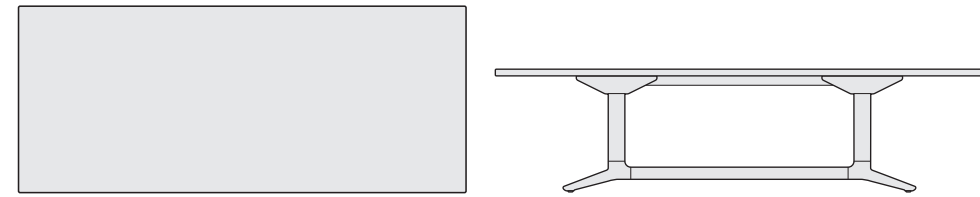
To Order Select Below

1. Series/Style	2. Top Size	3. Top Finish	4. Top Edge Detail	5. Power	6. Base Height	7. Glide	8. Base Set Up	9. Base Finish		
<p>CVTSR</p> <p>Cove Table Soft Rectangle Top</p>	<p>24030 24W x 30L</p> <p>27027 27W x 27L</p> <p>30030 30W x 30L</p> <p>36036 36W x 36L</p>	<p>Laminate - Grade 1</p> <p>LM01 DESIGNER WHITE</p> <p>LM02 ALABASTER</p> <p>LM03 WALLABY</p> <p>LM05 DOVE GREY</p> <p>LM06 FASHION GREY</p> <p>LM04 SHADOW</p> <p>LM08 NORTH SEA</p> <p>LM07 SLATE GREY</p> <p>LM09 BLACK</p> <p>LM10 FUSION MAPLE</p> <p>LM11 MONTICELLO MAPLE</p> <p>LM12 RIVER CHERRY</p> <p>LM13 AMBER CHERRY</p> <p>LM14 WALNUT HEIGHTS</p> <p>LM15 MONTANA WALNUT</p> <p>LM16 XANADU</p> <p>LM17 ASIAN NIGHT</p>	<p>Laminate - Grade 2</p> <p>LM41 BIANCO KOS</p> <p>LM42 GRIGIO EFESO</p> <p>LM43 GRIGIO LONDRA</p> <p>LM44 GRIGIO BROMO</p> <p>LM45 NERO INGO</p> <p>Custom Finish</p> <p>LM99 CUSTOM LAMINATE</p> <p>WV99 CUSTOM WOOD</p> <p>See page 6 for custom laminate and custom wood details.</p>	<p>Wood Veneer - Grade 1</p> <p>WV05 TONED ASH</p> <p>WV06 NATURAL MAPLE</p> <p>WV49 NATURAL RECON WHITE OAK</p> <p>WV45 TONED RECON OAK</p> <p>WV44 TONED OAK</p> <p>WV48 NATURAL WHITE</p> <p>WV01 LIGHT GREY</p> <p>WV46 NATURAL FLAT CUT WALNUT</p> <p>WV47 NATURAL RIFT CUT WALNUT</p> <p>WV41 TONED RECON WALNUT</p> <p>WV04 MEDIUM CHERRY</p> <p>WV43 TONED WENGE</p> <p>WV02 WARM GREY</p> <p>WV42 DARK TONED OAK</p> <p>WV03 OPAQUE BLACK</p>	<p>Top Edge Detail</p> <p>ST1 STRAIGHT EDGE 1</p> <p>RB2 REVERSE BEVEL 2</p> <p> ST1</p> <p> RB2</p> <p>Grade 1 laminate edge has a 2mm PVC edge. Grade 2 laminate has a 1mm ABS edge. Wood edge has a 3mm wood veneer edge.</p>	<p>Power</p> <p>Power is unavailable as a standard option for Cove Tables with a single column.</p>	<p>Base Height</p> <p>B12 12"</p> <p>B15 15"</p> <p>B18 18"</p> <p>Base size is automatically assigned during order entry.</p>	<p>Glide</p> <p>PLASTIC, PG CARPET</p> <p>SOFT PLASTIC, SG FLOOR</p> <p>All glides are adjustable. Soft plastic glides are not designed for sliding tables.</p>	<p>Base Set Up</p> <p>F PACKED</p> <p>A ASSEMBLED +68</p>	<p>Standard Powder Coated Metal</p> <p>BL BLUE</p> <p>NK NICKEL</p> <p>BM BLACK MATTE</p> <p>NV NAVY</p> <p>BR BRASS</p> <p>OR ORANGE</p> <p>BT BLACK TWILIGHT</p> <p>PY PALE YELLOW</p> <p>CP CHAMPAGNE</p> <p>RD RED</p> <p>DB DARK BRONZE</p> <p>RO RED ORANGE</p> <p>DG DARK GRAY</p> <p>RR RUSTY RED</p> <p>DP DUSTY PINK</p> <p>SB SOFT BLUE</p> <p>FG FOREST GREEN</p> <p>SD SAND</p> <p>LG LIGHT GRAY</p> <p>TC TERRACOTTA</p> <p>MG MEADOW GREEN</p> <p>TP TAUPE</p> <p>MK MILK</p> <p>TS TEXTURED SLATE</p> <p>MS METALLIC SILVER</p> <p>YL YELLOW</p>

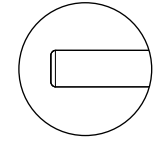
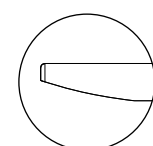
Cove Tables

OCCASIONAL TABLE: TRUE RECTANGLE

	SERIES	STYLE	WIDTH	LENGTH	Laminate Top Edge/Finish				Wood Veneer Top Edge/Finish	
					STRAIGHT EDGE 1		REVERSE BEVEL 2		STRAIGHT EDGE 1	REVERSE BEVEL 2
					GRADE 1	GRADE 2	GRADE 1	GRADE 2	GRADE 1	GRADE 1
Occasional Table True Rectangle Top Dual Base Height options: 12", 15", 18" Optional power through column Height adjustable glides Base ships flat packed or assembled	CVT	TR	30	48	2,195	2,789	3,001	3,126	3,177	3,570
				56	2,347	3,539	3,201	3,881	3,437	3,864
				60	2,352	3,845	3,277	4,191	3,577	4,020
				72	2,554	4,288	3,601	4,665	4,068	4,573
			36	56	2,493	3,751	3,410	4,123	3,733	4,210
				60	2,499	3,779	3,500	4,165	3,900	4,402
				72	2,717	4,353	3,833	4,773	4,432	4,998
			42	56	2,530	3,827	3,618	4,227	4,027	4,558
				60	2,533	3,996	3,720	4,417	4,221	4,776
				72	2,746	4,464	4,121	4,926	4,850	5,485



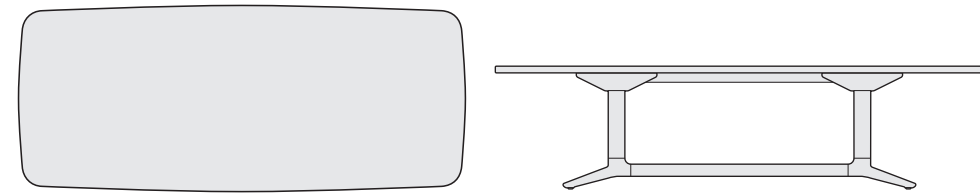
To Order Select Below

1. Series/Style	2. Top Size	3. Top Finish	4. Top Edge Detail	5. Power	6. Base Height	7. Glide	8. Base Set Up	9. Base Finish	
<p>CVTRR</p> <p>Cove Table True Rectangle Top</p>	<p>30048 30W x 48L</p> <p>30056 30W x 56L</p> <p>30060 30W x 60L</p> <p>30072 30W x 72L</p> <p>36056 36W x 56L</p> <p>36060 36W x 60L</p> <p>36072 36W x 72L</p> <p>42056 42W x 56L</p> <p>42060 42W x 60L</p> <p>42072 42W x 72L</p>	<p>Laminate - Grade 1</p> <p>LM01 DESIGNER WHITE</p> <p>LM02 ALABASTER</p> <p>LM03 WALLABY</p> <p>LM05 DOVE GREY</p> <p>LM06 FASHION GREY</p> <p>LM04 SHADOW</p> <p>LM08 NORTH SEA</p> <p>LM07 SLATE GREY</p> <p>LM09 BLACK</p> <p>LM10 FUSION MAPLE</p> <p>LM11 MONTICELLO MAPLE</p> <p>LM12 RIVER CHERRY</p> <p>LM13 AMBER CHERRY</p> <p>LM14 WALNUT HEIGHTS</p> <p>LM15 MONTANA WALNUT</p> <p>LM16 XANADU</p> <p>LM17 ASIAN NIGHT</p> <p>Laminate - Grade 2</p> <p>LM41 BIANCO KOS</p> <p>LM42 GRIGIO EFESO</p> <p>LM43 GRIGIO LONDRA</p> <p>LM44 GRIGIO BROMO</p> <p>LM45 NERO INGO</p> <p>Custom Finish</p> <p>LM99 CUSTOM LAMINATE</p> <p>WV99 CUSTOM WOOD</p> <p>See page 6 for custom laminate and custom wood details.</p>	<p>Wood Veneer - Grade 1</p> <p>WV05 TONED ASH</p> <p>WV06 NATURAL MAPLE</p> <p>WV49 NATURAL RECON WHITE OAK</p> <p>WV45 TONED RECON OAK</p> <p>WV44 TONED OAK</p> <p>WV48 NATURAL WHITE</p> <p>WV01 LIGHT GREY</p> <p>WV46 NATURAL FLAT CUT WALNUT</p> <p>WV47 NATURAL RIFT CUT WALNUT</p> <p>WV41 TONED RECON WALNUT</p> <p>WV04 MEDIUM CHERRY</p> <p>WV43 TONED WENGE</p> <p>WV02 WARM GREY</p> <p>WV42 DARK TONED OAK</p> <p>WV03 OPAQUE BLACK</p>	<p>Top Edge Detail</p> <p>ST1 STRAIGHT EDGE 1</p> <p>RB2 REVERSE BEVEL 2</p> <p> ST1</p> <p> RB2</p> <p>Grade 1 laminate edge has a 2mm PVC edge. Grade 2 laminate has a 1mm ABS edge. Wood edge has a 3mm wood veneer edge.</p>	<p>Power</p> <p>Please see page 7 for Cove Table power prices and model codes.</p>	<p>Base Height</p> <p>B12 12"</p> <p>B15 15"</p> <p>B18 18"</p> <p>Base size is automatically assigned during order entry.</p>	<p>Glide</p> <p>PLASTIC, PG CARPET</p> <p>SOFT PLASTIC, SG FLOOR</p> <p>All glides are adjustable. Soft plastic glides are not designed for sliding tables.</p>	<p>Base Set Up</p> <p>F PACKED</p> <p>A ASSEMBLED +133</p>	<p>Standard Powder Coated Metal</p> <p>BL BLUE</p> <p>NK NICKEL</p> <p>BM BLACK MATTE</p> <p>NV NAVY</p> <p>BR BRASS</p> <p>OR ORANGE</p> <p>BT BLACK TWILIGHT</p> <p>PY PALE YELLOW</p> <p>CP CHAMPAGNE</p> <p>RD RED</p> <p>DB DARK BRONZE</p> <p>RO RED ORANGE</p> <p>DG DARK GRAY</p> <p>RR RUSTY RED</p> <p>DP DUSTY PINK</p> <p>SB SOFT BLUE</p> <p>FG FOREST GREEN</p> <p>SD SAND</p> <p>LG LIGHT GRAY</p> <p>TC TERRACOTTA</p> <p>MG MEADOW GREEN</p> <p>TP TAUPE</p> <p>MK MILK</p> <p>TS TEXTURED SLATE</p> <p>MS METALLIC SILVER</p> <p>YL YELLOW</p>

Cove Tables

OCCASIONAL TABLE: SOFT RECTANGLE

	SERIES	STYLE	WIDTH	LENGTH	Laminate Top Edge/Finish		Wood Veneer Top Edge/Finish			
					STRAIGHT EDGE 1	REVERSE BEVEL 2	STRAIGHT EDGE 1	REVERSE BEVEL 2	GRADE 1	GRADE 2
Occasional Table Soft Rectangle Top Dual Base Height options: 12", 15", 18" Optional power through column Height adjustable glides Base ships flat packed or assembled	CVT	SR	30	48	2,218	2,758	3,001	3,126	3,231	3,620
				56	2,377	3,464	3,186	3,867	3,488	3,914
				60	2,380	3,748	3,253	4,171	3,619	4,071
				72	2,582	4,182	3,574	4,645	4,128	4,624
			36	56	2,521	3,655	3,372	4,094	3,775	4,253
				60	2,527	3,678	3,452	4,132	3,933	4,438
				72	2,746	4,171	3,718	4,680	4,415	4,979
			42	56	2,547	3,746	3,515	4,148	4,019	4,541
				60	2,551	3,905	3,651	4,364	4,246	4,803
				72	2,776	4,313	3,993	4,824	4,841	5,468



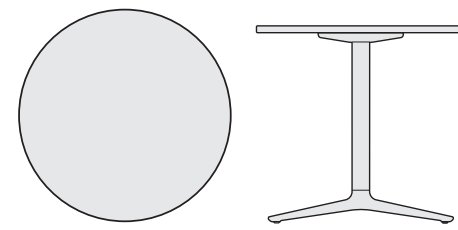
To Order Select Below

1. Series/Style	2. Top Size	3. Top Finish	4. Top Edge Detail	5. Power	6. Base Height	7. Glide	8. Base Set Up	9. Base Finish
CVTSR	30048 30W x 48L	LM01 DESIGNER WHITE	ST1 STRAIGHT EDGE 1		B12 12"	PLASTIC, PG CARPET	FLAT F PACKED	BL BLUE
Cove Table Soft Rectangle Top	30056 30W x 56L	LM02 ALABASTER	RB2 REVERSE BEVEL 2	Please see page 7 for Cove Table power prices and model codes.	B15 15"	SOFT PLASTIC, SG FLOOR	ASSEMBLED A +133	BM BLACK MATTE
	30060 30W x 60L	LM03 WALLABY			B18 18"			BR BRASS
	30072 30W x 72L	LM05 DOVE GREY			Base size is automatically assigned during order entry.	BT BLACK TWILIGHT		
	36056 36W x 56L	LM06 FASHION GREY			All glides are adjustable. Soft plastic glides are not designed for sliding tables.	CP CHAMPAGNE		
	36060 36W x 60L	LM04 SHADOW				DB DARK BRONZE		
	36072 36W x 72L	LM08 NORTH SEA				DG DARK GRAY		
	42056 42W x 56L	LM07 SLATE GREY				DP DUSTY PINK		
	42060 42W x 60L	LM09 BLACK				FG FOREST GREEN		
	42072 42W x 72L	LM10 FUSION MAPLE				LG LIGHT GRAY		
		LM11 MONTICELLO MAPLE				MG MEADOW GREEN		
		LM12 RIVER CHERRY				MK MILK		
		LM13 AMBER CHERRY				MS METALLIC SILVER		
		LM14 WALNUT HEIGHTS				NK NICKEL		
		LM15 MONTANA WALNUT				NV NAVY		
		LM16 XANADU				OR ORANGE		
		LM17 ASIAN NIGHT				PY PALE YELLOW		
						RD RED		
				RO RED ORANGE				
				RR RUSTY RED				
				SB SOFT BLUE				
				SD SAND				
				TC TERRACOTTA				
				TP TAUPE				
				TS TEXTURED SLATE				
				YL YELLOW				

Cove Tables

MULTI-PURPOSE TABLE: ROUND

Multi-Purpose Table Round Top Single Base	Height options: 26", 28.5" Height adjustable glides Base ships flat packed or assembled	SERIES	STYLE	TOP DIA.	BASE SIZE	Laminate Top Edge/Finish				Wood Veneer Top Edge/Finish	
						STRAIGHT EDGE 1		REVERSE BEVEL 2		STRAIGHT EDGE 1	REVERSE BEVEL 2
						GRADE 1	GRADE 2	GRADE 1	GRADE 2	GRADE 1	GRADE 1
		CVT	RD	30	S	1,231	1,836	1,911	2,118	1,934	2,244
				36	L	1,453	2,133	2,172	2,450	2,313	2,687



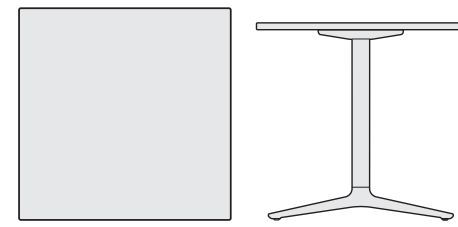
To Order Select Below

1. Series/Style	2. Top Size	3. Top Finish	4. Top Edge Detail	5. Power	6. Base Height	7. Glide	8. Base Set Up	9. Base Finish
<p>CVTRD</p> <p>Cove Table Round Top</p>	<p>30000 30 DIA.</p> <p>36000 36</p>	<p>Laminate - Grade 1</p> <p>LM01 DESIGNER WHITE</p> <p>LM02 ALABASTER</p> <p>LM03 WALLABY</p> <p>LM05 DOVE GREY</p> <p>LM06 FASHION GREY</p> <p>LM04 SHADOW</p> <p>LM08 NORTH SEA</p> <p>LM07 SLATE GREY</p> <p>LM09 BLACK</p> <p>LM10 FUSION MAPLE</p> <p>LM11 MONTICELLO MAPLE</p> <p>LM12 RIVER CHERRY</p> <p>LM13 AMBER CHERRY</p> <p>LM14 WALNUT HEIGHTS</p> <p>LM15 MONTANA WALNUT</p> <p>LM16 XANADU</p> <p>LM17 ASIAN NIGHT</p> <p>Laminate - Grade 2</p> <p>LM41 BIANCO KOS</p> <p>LM42 GRIGIO EFESO</p> <p>LM43 GRIGIO LONDRA</p> <p>LM44 GRIGIO BROMO</p> <p>LM45 NERO INGO</p> <p>Custom Finish</p> <p>LM99 CUSTOM LAMINATE</p> <p>WV99 CUSTOM WOOD</p> <p>See page 6 for custom laminate and custom wood details.</p> <p>Wood Veneer - Grade 1</p> <p>WV05 TONED ASH</p> <p>WV06 NATURAL MAPLE</p> <p>WV49 NATURAL RECON WHITE OAK</p> <p>WV45 TONED RECON OAK</p> <p>WV44 TONED OAK</p> <p>WV48 NATURAL WHITE</p> <p>WV01 LIGHT GREY</p> <p>WV46 NATURAL FLAT CUT WALNUT</p> <p>WV47 NATURAL RIFT CUT WALNUT</p> <p>WV41 TONED RECON WALNUT</p> <p>WV04 MEDIUM CHERRY</p> <p>WV43 TONED WENGE</p> <p>WV02 WARM GREY</p> <p>WV42 DARK TONED OAK</p> <p>WV03 OPAQUE BLACK</p>	<p>Top Edge Detail</p> <p>ST1 STRAIGHT EDGE 1</p> <p>RB2 REVERSE BEVEL 2</p> <p>ST1</p> <p>RB2</p> <p>Grade 1 laminate edge has a 2mm PVC edge. Grade 2 laminate has a 1mm ABS edge. Wood edge has a 3mm wood veneer edge.</p>	<p>Power is unavailable as a standard option for Cove Tables with a single column.</p>	<p>Base Height</p> <p>B26 26"</p> <p>B29 28.5"</p> <p>Base size is automatically assigned during order entry.</p>	<p>Glide</p> <p>PLASTIC, PG CARPET</p> <p>SOFT PLASTIC, SG FLOOR</p> <p>All glides are adjustable. Soft plastic glides are not designed for sliding tables.</p>	<p>Base Set Up</p> <p>F FLAT PACKED</p> <p>A ASSEMBLED +133</p>	<p>Standard Powder Coated Metal</p> <p>BL BLUE</p> <p>NK NICKEL</p> <p>BM BLACK MATTE</p> <p>NV NAVY</p> <p>BR BRASS</p> <p>OR ORANGE</p> <p>BT BLACK TWILIGHT</p> <p>PY PALE YELLOW</p> <p>CP CHAMPAGNE</p> <p>RD RED</p> <p>DB DARK BRONZE</p> <p>RO RED ORANGE</p> <p>DG DARK GRAY</p> <p>RR RUSTY RED</p> <p>DP DUSTY PINK</p> <p>SB SOFT BLUE</p> <p>FG FOREST GREEN</p> <p>SD SAND</p> <p>LG LIGHT GRAY</p> <p>TC TERRACOTTA</p> <p>MG MEADOW GREEN</p> <p>TP TAUPE</p> <p>MK MILK</p> <p>TS TEXTURED SLATE</p> <p>MS METALLIC SILVER</p> <p>YL YELLOW</p>

Cove Tables

MULTI-PURPOSE TABLE: TRUE RECTANGLE

	SERIES	STYLE	WIDTH	LENGTH	BASE SIZE	Laminate Top Edge/Finish				Wood Veneer Top Edge/Finish	
						STRAIGHT EDGE 1		REVERSE BEVEL 2		STRAIGHT EDGE 1	REVERSE BEVEL 2
						GRADE 1	GRADE 2	GRADE 1	GRADE 2	GRADE 1	GRADE 1
Multi-Purpose Table True Rectangle Top Single Base Height options: 26", 28.5" Height adjustable glides Base ships flat packed or assembled	CVT	TR	24	30	S	1,186	1,508	1,752	1,782	1,743	1,976
			27	27	S	1,187	1,800	1,756	2,069	1,785	1,976
			30	30	L	1,259	1,866	1,893	2,148	1,879	2,192
			36	36	L	1,472	2,385	2,164	2,700	2,252	2,627



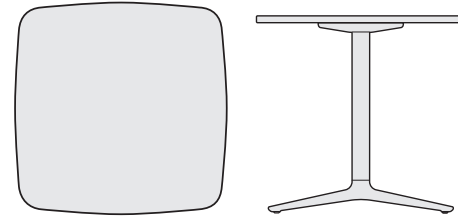
To Order Select Below

1. Series/Style	2. Top Size	3. Top Finish	4. Top Edge Detail	5. Power	6. Base Height	7. Glide	8. Base Set Up	9. Base Finish
<p>● Cove Table True Rectangle Top</p> <p>CVTR</p>	<p>● Top Size</p> <p>24030 24W x 30L 27027 27W x 27L 30030 30W x 30L 36036 36W x 36L</p>	<p>● Laminate - Grade 1</p> <p>LM01 DESIGNER WHITE LM02 ALABASTER LM03 WALLABY LM05 DOVE GREY LM06 FASHION GREY LM04 SHADOW LM08 NORTH SEA LM07 SLATE GREY LM09 BLACK LM10 FUSION MAPLE LM11 MONTICELLO MAPLE LM12 RIVER CHERRY LM13 AMBER CHERRY LM14 WALNUT HEIGHTS LM15 MONTANA WALNUT LM16 XANADU LM17 ASIAN NIGHT</p> <p>● Laminate - Grade 2</p> <p>LM41 BIANCO KOS LM42 GRIGIO EFESO LM43 GRIGIO LONDRA LM44 GRIGIO BROMO LM45 NERO INGO</p> <p>● Wood Veneer - Grade 1</p> <p>WV05 TONED ASH WV06 NATURAL MAPLE WV49 NATURAL RECON WHITE OAK WV45 TONED RECON OAK WV44 TONED OAK WV48 NATURAL WHITE WV01 LIGHT GREY WV46 NATURAL FLAT CUT WALNUT WV47 NATURAL RIFT CUT WALNUT WV41 TONED RECON WALNUT WV04 MEDIUM CHERRY WV43 TONED WENGE WV02 WARM GREY WV42 DARK TONED OAK WV03 OPAQUE BLACK</p> <p>● Custom Finish</p> <p>LM99 CUSTOM LAMINATE WV99 CUSTOM WOOD</p> <p>See page 6 for custom laminate and custom wood details.</p>	<p>● Top Edge Detail</p> <p>ST1 STRAIGHT EDGE 1 RB2 REVERSE BEVEL 2</p> <p>ST1 </p> <p>RB2 </p> <p>Grade 1 laminate edge has a 2mm PVC edge. Grade 2 laminate has a 1mm ABS edge. Wood edge has a 3mm wood veneer edge.</p>	<p>● Power is unavailable as a standard option for Cove Tables with a single column.</p>	<p>● Base Height</p> <p>B26 26" B29 28.5"</p> <p>Base size is automatically assigned during order entry.</p>	<p>● Glide</p> <p>PLASTIC, PG CARPET SOFT PLASTIC, SG FLOOR</p> <p>All glides are adjustable. Soft plastic glides are not designed for sliding tables.</p>	<p>● Base Set Up</p> <p>F PACKED A ASSEMBLED +133</p>	<p>● Standard Powder Coated Metal</p> <p>BL BLUE BM BLACK MATTE BR BRASS BT BLACK TWILIGHT CP CHAMPAGNE DB DARK BRONZE DG DARK GRAY DP DUSTY PINK FG FOREST GREEN LG LIGHT GRAY MG MEADOW GREEN MK MILK MS METALLIC SILVER</p> <p>NK NICKEL NV NAVY OR ORANGE PY PALE YELLOW RD RED RO RED ORANGE RR RUSTY RED SB SOFT BLUE SD SAND TC TERRACOTTA TP TAUPE TS TEXTURED SLATE YL YELLOW</p>

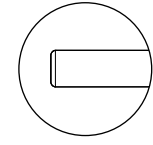
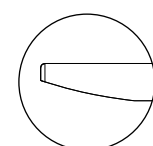
Cove Tables

MULTI-PURPOSE TABLE: SOFT RECTANGLE

Multi-Purpose Table Soft Rectangle Top Single Base	Height options: 26", 28.5" Height adjustable glides Base ships flat packed or assembled	SERIES	STYLE	WIDTH	LENGTH	BASE SIZE	Laminate Top Edge/Finish				Wood Veneer Top Edge/Finish	
							STRAIGHT EDGE 1		REVERSE BEVEL 2		STRAIGHT EDGE 1	REVERSE BEVEL 2
							GRADE 1	GRADE 2	GRADE 1	GRADE 2	GRADE 1	GRADE 1
		CVT	SR	24	30	S	1,203	1,488	1,752	1,782	1,814	2,002
				27	27	S	1,206	1,770	1,756	2,069	1,715	2,002
				30	30	L	1,279	1,826	1,880	2,138	2,010	2,210
				36	36	L	1,493	2,345	2,172	2,706	2,313	2,687



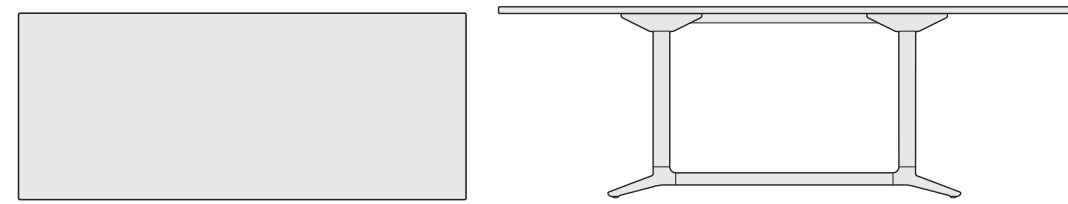
To Order Select Below

1. Series/Style	2. Top Size	3. Top Finish	4. Top Edge Detail	5. Power	6. Base Height	7. Glide	8. Base Set Up	9. Base Finish	
<p>CVTSR</p> <p>Cove Table Soft Rectangle Top</p>	<p>24030 24W x 30L</p> <p>27027 27W x 27L</p> <p>30030 30W x 30L</p> <p>36036 36W x 36L</p>	<p>Laminate - Grade 1</p> <p>LM01 DESIGNER WHITE</p> <p>LM02 ALABASTER</p> <p>LM03 WALLABY</p> <p>LM05 DOVE GREY</p> <p>LM06 FASHION GREY</p> <p>LM04 SHADOW</p> <p>LM08 NORTH SEA</p> <p>LM07 SLATE GREY</p> <p>LM09 BLACK</p> <p>LM10 FUSION MAPLE</p> <p>LM11 MONTICELLO MAPLE</p> <p>LM12 RIVER CHERRY</p> <p>LM13 AMBER CHERRY</p> <p>LM14 WALNUT HEIGHTS</p> <p>LM15 MONTANA WALNUT</p> <p>LM16 XANADU</p> <p>LM17 ASIAN NIGHT</p> <p>Laminate - Grade 2</p> <p>LM41 BIANCO KOS</p> <p>LM42 GRIGIO EFESO</p> <p>LM43 GRIGIO LONDRA</p> <p>LM44 GRIGIO BROMO</p> <p>LM45 NERO INGO</p> <p>Custom Finish</p> <p>LM99 CUSTOM LAMINATE</p> <p>WV99 CUSTOM WOOD</p> <p>See page 6 for custom laminate and custom wood details.</p>	<p>Wood Veneer - Grade 1</p> <p>WV05 TONED ASH</p> <p>WV06 NATURAL MAPLE</p> <p>WV49 NATURAL RECON WHITE OAK</p> <p>WV45 TONED RECON OAK</p> <p>WV44 TONED OAK</p> <p>WV48 NATURAL WHITE</p> <p>WV01 LIGHT GREY</p> <p>WV46 NATURAL FLAT CUT WALNUT</p> <p>WV47 NATURAL RIFT CUT WALNUT</p> <p>WV41 TONED RECON WALNUT</p> <p>WV04 MEDIUM CHERRY</p> <p>WV43 TONED WENGE</p> <p>WV02 WARM GREY</p> <p>WV42 DARK TONED OAK</p> <p>WV03 OPAQUE BLACK</p>	<p>Top Edge Detail</p> <p>ST1 STRAIGHT EDGE 1</p> <p>RB2 REVERSE BEVEL 2</p> <p> ST1</p> <p> RB2</p> <p>Grade 1 laminate edge has a 2mm PVC edge. Grade 2 laminate has a 1mm ABS edge. Wood edge has a 3mm wood veneer edge.</p>	<p>Power is unavailable as a standard option for Cove Tables with a single column.</p>	<p>Base Height</p> <p>B26 26"</p> <p>B29 28.5"</p> <p>Base size is automatically assigned during order entry.</p>	<p>Glide</p> <p>PLASTIC, PG CARPET</p> <p>SOFT PLASTIC, SG FLOOR</p> <p>All glides are adjustable. Soft plastic glides are not designed for sliding tables.</p>	<p>Base Set Up</p> <p>F PACKED</p> <p>A ASSEMBLED +133</p>	<p>Standard Powder Coated Metal</p> <p>BL BLUE</p> <p>NK NICKEL</p> <p>BM BLACK MATTE</p> <p>NV NAVY</p> <p>BR BRASS</p> <p>OR ORANGE</p> <p>BT BLACK TWILIGHT</p> <p>PY PALE YELLOW</p> <p>CP CHAMPAGNE</p> <p>RD RED</p> <p>DB DARK BRONZE</p> <p>RO RED ORANGE</p> <p>DG DARK GRAY</p> <p>RR RUSTY RED</p> <p>DP DUSTY PINK</p> <p>SB SOFT BLUE</p> <p>FG FOREST GREEN</p> <p>SD SAND</p> <p>LG LIGHT GRAY</p> <p>TC TERRACOTTA</p> <p>MG MEADOW GREEN</p> <p>TP TAUPE</p> <p>MK MILK</p> <p>TS TEXTURED SLATE</p> <p>MS METALLIC SILVER</p> <p>YL YELLOW</p>

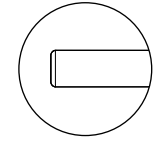
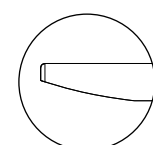
Cove Tables

MULTI-PURPOSE TABLE: TRUE RECTANGLE

	SERIES	STYLE	WIDTH	LENGTH	Laminate Top Edge/Finish		Wood Veneer Top Edge/Finish			
					STRAIGHT EDGE 1	REVERSE BEVEL 2	STRAIGHT EDGE 1	REVERSE BEVEL 2	GRADE 1	GRADE 2
Multi-Purpose Table True Rectangle Top Dual Base Height options: 26", 28.5" Optional power through column Height adjustable glides Base ships flat packed or assembled	CVT	TR	30	48	2,207	2,801	3,013	3,138	3,189	3,582
				56	2,355	3,547	3,209	3,889	3,445	3,872
				60	2,364	3,857	3,289	4,203	3,589	4,032
				72	2,559	4,293	3,606	4,670	4,073	4,578
				84	2,591	4,694	3,881	5,098	4,499	5,054
				96	2,741	5,114	4,176	5,550	4,906	5,516
			36	108	2,978	5,534	4,472	5,996	5,371	6,032
				56	2,501	3,759	3,418	4,131	3,741	4,218
				60	2,511	3,791	3,512	4,177	3,912	4,414
				72	2,722	4,358	3,838	4,778	4,437	5,003
				84	3,096	4,795	4,180	5,246	4,959	5,594
				96	3,164	5,225	4,512	5,713	5,429	6,126
				108	3,488	5,660	4,844	6,179	5,961	6,728



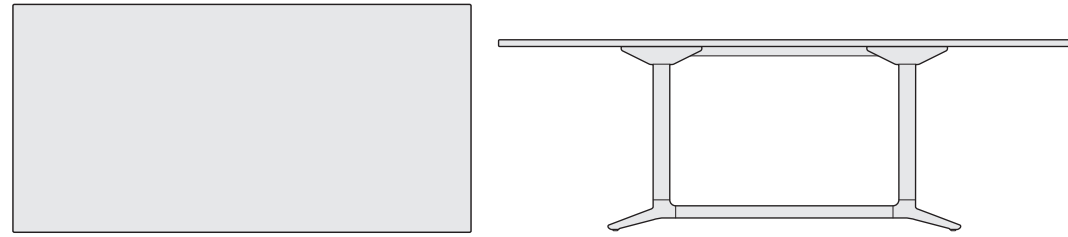
To Order Select Below

1. Series/Style	2. Top Size	3. Top Finish	4. Top Edge Detail	5. Power	6. Base Height	7. Glide	8. Base Set Up	9. Base Finish		
<p>CVTRR</p> <p>Cove Table True Rectangle Top</p>	<p>Top Size</p> <p>30056 30W x 56L</p> <p>30060 30W x 60L</p> <p>30072 30W x 72L</p> <p>30084 30W x 84L</p> <p>30096 30W x 96L</p> <p>30108 30W x 108L</p> <p>36056 36W x 56L</p> <p>36060 36W x 60L</p> <p>36072 36W x 72L</p> <p>36084 36W x 84L</p> <p>36096 36W x 96L</p> <p>36108 36W x 108L</p>	<p>Laminate - Grade 1</p> <p>LM01 DESIGNER WHITE</p> <p>LM02 ALABASTER</p> <p>LM03 WALLABY</p> <p>LM05 DOVE GREY</p> <p>LM06 FASHION GREY</p> <p>LM04 SHADOW</p> <p>LM08 NORTH SEA</p> <p>LM07 SLATE GREY</p> <p>LM09 BLACK</p> <p>LM10 FUSION MAPLE</p> <p>LM11 MONTICELLO MAPLE</p> <p>LM12 RIVER CHERRY</p> <p>LM13 AMBER CHERRY</p> <p>LM14 WALNUT HEIGHTS</p> <p>LM15 MONTANA WALNUT</p> <p>LM16 XANADU</p> <p>LM17 ASIAN NIGHT</p>	<p>Laminate - Grade 2</p> <p>LM41 BIANCO KOS</p> <p>LM42 GRIGIO EFESO</p> <p>LM43 GRIGIO LONDRA</p> <p>LM44 GRIGIO BROMO</p> <p>LM45 NERO INGO</p> <p>Custom Finish</p> <p>LM99 CUSTOM LAMINATE</p> <p>WV99 CUSTOM WOOD</p> <p>See page 6 for custom laminate and custom wood details.</p>	<p>Wood Veneer - Grade 1</p> <p>WV05 TONED ASH</p> <p>WV06 NATURAL MAPLE</p> <p>WV49 NATURAL RECON WHITE OAK</p> <p>WV45 TONED RECON OAK</p> <p>WV44 TONED OAK</p> <p>WV48 NATURAL WHITE</p> <p>WV01 LIGHT GREY</p> <p>WV46 NATURAL FLAT CUT WALNUT</p> <p>WV47 NATURAL RIFT CUT WALNUT</p> <p>WV41 TONED RECON WALNUT</p> <p>WV04 MEDIUM CHERRY</p> <p>WV43 TONED WENGE</p> <p>WV02 WARM GREY</p> <p>WV42 DARK TONED OAK</p> <p>WV03 OPAQUE BLACK</p>	<p>Top Edge Detail</p> <p>ST1 STRAIGHT EDGE 1</p> <p>RB2 REVERSE BEVEL 2</p> <p> ST1</p> <p> RB2</p> <p>Grade 1 laminate edge has a 2mm PVC edge. Grade 2 laminate has a 1mm ABS edge. Wood edge has a 3mm wood veneer edge.</p>	<p>Power</p> <p>Please see page 7 for Cove Table power prices and model codes.</p>	<p>Base Height</p> <p>B26 26"</p> <p>B29 28.5"</p> <p>Base size is automatically assigned during order entry.</p>	<p>Glide</p> <p>PLASTIC, PG CARPET</p> <p>SOFT PLASTIC, SG FLOOR</p> <p>All glides are adjustable. Soft plastic glides are not designed for sliding tables.</p>	<p>Base Set Up</p> <p>F PACKED</p> <p>A ASSEMBLED +269</p>	<p>Standard Powder Coated Metal</p> <p>BL BLUE</p> <p>NK NICKEL</p> <p>BM BLACK MATTE</p> <p>NV NAVY</p> <p>BR BRASS</p> <p>OR ORANGE</p> <p>BT BLACK TWILIGHT</p> <p>PY PALE YELLOW</p> <p>CP CHAMPAGNE</p> <p>RD RED</p> <p>DB DARK BRONZE</p> <p>RO RED ORANGE</p> <p>DG DARK GRAY</p> <p>RR RUSTY RED</p> <p>DP DUSTY PINK</p> <p>SB SOFT BLUE</p> <p>FG FOREST GREEN</p> <p>SD SAND</p> <p>LG LIGHT GRAY</p> <p>TC TERRACOTTA</p> <p>MG MEADOW GREEN</p> <p>TP TAUPE</p> <p>MK MILK</p> <p>TS TEXTURED SLATE</p> <p>MS METALLIC SILVER</p> <p>YL YELLOW</p>

Cove Tables

MULTI-PURPOSE TABLE: TRUE RECTANGLE

	SERIES	STYLE	WIDTH	LENGTH	Laminate Top Edge/Finish		Wood Veneer Top Edge/Finish		Wood Veneer Top Edge/Finish	
					STRAIGHT EDGE 1	REVERSE BEVEL 2	STRAIGHT EDGE 1	REVERSE BEVEL 2		
Multi-Purpose Table True Rectangle Top Dual Base Height options: 26", 28.5" Optional power through column Height adjustable glides Base ships flat packed or assembled	CVT	TR	42	56	2,538	3,835	3,626	4,235	4,035	4,566
				60	2,545	4,008	3,732	4,429	4,233	4,788
				72	2,751	4,469	4,126	4,931	4,855	5,490
				84	3,111	4,896	4,477	5,394	5,419	6,125
				96	3,185	5,618	4,848	6,151	5,951	6,734
				108	3,493	5,781	5,220	6,367	6,553	7,405



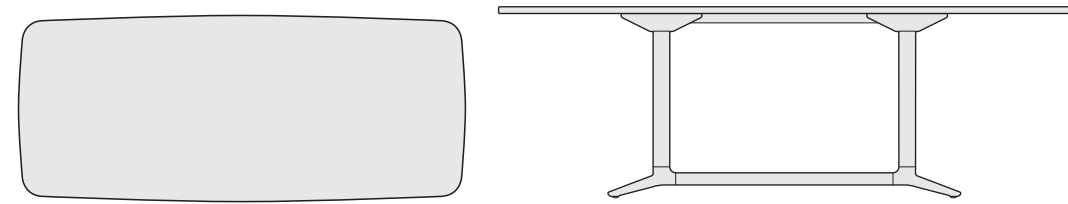
To Order Select Below

1. Series/Style	2. Top Size	3. Top Finish	4. Top Edge Detail	5. Power	6. Base Height	7. Glide	8. Base Set Up	9. Base Finish		
<p>CVTRR</p> <p>Cove Table True Rectangle Top</p>	<p>42056 42W x 56L</p> <p>42060 42W x 60L</p> <p>42072 42W x 72L</p> <p>42084 42W x 84L</p> <p>42096 42W x 96L</p> <p>42108 42W x 108L</p>	<p>Laminate - Grade 1</p> <p>LM01 DESIGNER WHITE</p> <p>LM02 ALABASTER</p> <p>LM03 WALLABY</p> <p>LM05 DOVE GREY</p> <p>LM06 FASHION GREY</p> <p>LM04 SHADOW</p> <p>LM08 NORTH SEA</p> <p>LM07 SLATE GREY</p> <p>LM09 BLACK</p> <p>LM10 FUSION MAPLE</p> <p>LM11 MONTICELLO MAPLE</p> <p>LM12 RIVER CHERRY</p> <p>LM13 AMBER CHERRY</p> <p>LM14 WALNUT HEIGHTS</p> <p>LM15 MONTANA WALNUT</p> <p>LM16 XANADU</p> <p>LM17 ASIAN NIGHT</p>	<p>Laminate - Grade 2</p> <p>LM41 BIANCO KOS</p> <p>LM42 GRIGIO EFESO</p> <p>LM43 GRIGIO LONDRA</p> <p>LM44 GRIGIO BROMO</p> <p>LM45 NERO INGO</p> <p>Custom Finish</p> <p>LM99 CUSTOM LAMINATE</p> <p>WV99 CUSTOM WOOD</p> <p>See page 6 for custom laminate and custom wood details.</p>	<p>Wood Veneer - Grade 1</p> <p>WV05 TONED ASH</p> <p>WV06 NATURAL MAPLE</p> <p>WV49 NATURAL RECON WHITE OAK</p> <p>WV45 TONED RECON OAK</p> <p>WV44 TONED OAK</p> <p>WV48 NATURAL WHITE</p> <p>WV01 LIGHT GREY</p> <p>WV46 NATURAL FLAT CUT WALNUT</p> <p>WV47 NATURAL RIFT CUT WALNUT</p> <p>WV41 TONED RECON WALNUT</p> <p>WV04 MEDIUM CHERRY</p> <p>WV43 TONED WENGE</p> <p>WV02 WARM GREY</p> <p>WV42 DARK TONED OAK</p> <p>WV03 OPAQUE BLACK</p>	<p>Top Edge Detail</p> <p>ST1 STRAIGHT EDGE 1</p> <p>RB2 REVERSE BEVEL 2</p> <p>ST1</p> <p>RB2</p> <p>Grade 1 laminate edge has a 2mm PVC edge. Grade 2 laminate has a 1mm ABS edge. Wood edge has a 3mm wood veneer edge.</p>	<p>Power</p> <p>Please see page 7 for Cove Table power prices and model codes.</p>	<p>Base Height</p> <p>B26 26"</p> <p>B29 28.5"</p> <p>Base size is automatically assigned during order entry.</p>	<p>Glide</p> <p>PLASTIC, PG CARPET</p> <p>SOFT PLASTIC, SG FLOOR</p> <p>All glides are adjustable. Soft plastic glides are not designed for sliding tables.</p>	<p>Base Set Up</p> <p>F PACKED</p> <p>A ASSEMBLED +269</p>	<p>Standard Powder Coated Metal</p> <p>BL BLUE</p> <p>NK NICKEL</p> <p>BM BLACK MATTE</p> <p>NV NAVY</p> <p>BR BRASS</p> <p>OR ORANGE</p> <p>BT BLACK TWILIGHT</p> <p>PY PALE YELLOW</p> <p>CP CHAMPAGNE</p> <p>RD RED</p> <p>DB DARK BRONZE</p> <p>RO RED ORANGE</p> <p>DG DARK GRAY</p> <p>RR RUSTY RED</p> <p>DP DUSTY PINK</p> <p>SB SOFT BLUE</p> <p>FG FOREST GREEN</p> <p>SD SAND</p> <p>LG LIGHT GRAY</p> <p>TC TERRACOTTA</p> <p>MG MEADOW GREEN</p> <p>TP TAUPE</p> <p>MK MILK</p> <p>TS TEXTURED SLATE</p> <p>MS METALLIC SILVER</p> <p>YL YELLOW</p>

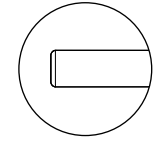
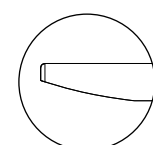
Cove Tables

MULTI-PURPOSE TABLE: SOFT RECTANGLE

	SERIES	STYLE	WIDTH	LENGTH	Laminate Top Edge/Finish		Wood Veneer Top Edge/Finish			
					STRAIGHT EDGE 1	REVERSE BEVEL 2	STRAIGHT EDGE 1	REVERSE BEVEL 2	GRADE 1	GRADE 2
Multi-Purpose Table Soft Rectangle Top Dual Base Height options: 26", 28.5" Optional power through column Height adjustable glides Base ships flat packed or assembled	CVT	SR	30	48	2,230	2,770	3,013	3,138	3,243	3,632
				56	2,385	3,472	3,194	3,875	3,496	3,922
				60	2,392	3,760	3,265	4,183	3,631	4,083
				72	2,587	4,187	3,579	4,650	4,133	4,629
				84	2,703	4,558	3,833	5,058	4,542	5,097
				96	2,768	4,948	4,105	5,490	4,943	5,516
				108	3,009	5,332	4,377	5,923	5,396	6,230
			36	56	2,529	3,663	3,380	4,102	3,783	4,261
				60	2,539	3,690	3,464	4,144	3,945	4,450
				72	2,751	4,176	3,723	4,685	4,420	4,984
				84	3,127	4,628	4,099	5,182	4,992	5,627
				96	3,196	5,028	4,402	5,629	5,454	6,098
				108	3,521	5,423	4,710	6,071	5,970	6,736



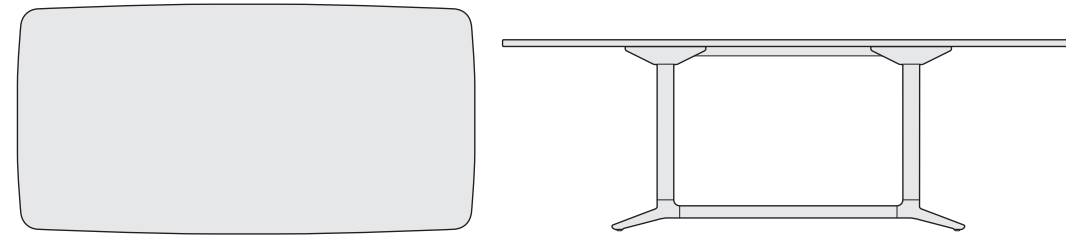
To Order Select Below

1. Series/Style	2. Top Size	3. Top Finish	4. Top Edge Detail	5. Power	6. Base Height	7. Glide	8. Base Set Up	9. Base Finish		
<p>CVTSR</p> <p>Cove Table Soft Rectangle Top</p>	<p>Top Size</p> <p>30056 30W x 56L</p> <p>30060 30W x 60L</p> <p>30072 30W x 72L</p> <p>30084 30W x 84L</p> <p>30096 30W x 96L</p> <p>30108 30W x 108L</p> <p>36056 36W x 56L</p> <p>36060 36W x 60L</p> <p>36072 36W x 72L</p> <p>36084 36W x 84L</p> <p>36096 36W x 96L</p> <p>36108 36W x 108L</p>	<p>Laminate - Grade 1</p> <p>LM01 DESIGNER WHITE</p> <p>LM02 ALABASTER</p> <p>LM03 WALLABY</p> <p>LM05 DOVE GREY</p> <p>LM06 FASHION GREY</p> <p>LM04 SHADOW</p> <p>LM08 NORTH SEA</p> <p>LM07 SLATE GREY</p> <p>LM09 BLACK</p> <p>LM10 FUSION MAPLE</p> <p>LM11 MONTICELLO MAPLE</p> <p>LM12 RIVER CHERRY</p> <p>LM13 AMBER CHERRY</p> <p>LM14 WALNUT HEIGHTS</p> <p>LM15 MONTANA WALNUT</p> <p>LM16 XANADU</p> <p>LM17 ASIAN NIGHT</p>	<p>Laminate - Grade 2</p> <p>LM41 BIANCO KOS</p> <p>LM42 GRIGIO EFESO</p> <p>LM43 GRIGIO LONDRA</p> <p>LM44 GRIGIO BROMO</p> <p>LM45 NERO INGO</p> <p>Custom Finish</p> <p>LM99 CUSTOM LAMINATE</p> <p>WV99 CUSTOM WOOD</p> <p>See page 6 for custom laminate and custom wood details.</p>	<p>Wood Veneer - Grade 1</p> <p>WV05 TONED ASH</p> <p>WV06 NATURAL MAPLE</p> <p>WV49 NATURAL RECON WHITE OAK</p> <p>WV45 TONED RECON OAK</p> <p>WV44 TONED OAK</p> <p>WV48 NATURAL WHITE</p> <p>WV01 LIGHT GREY</p> <p>WV46 NATURAL FLAT CUT WALNUT</p> <p>WV47 NATURAL RIFT CUT WALNUT</p> <p>WV41 TONED RECON WALNUT</p> <p>WV04 MEDIUM CHERRY</p> <p>WV43 TONED WENGE</p> <p>WV02 WARM GREY</p> <p>WV42 DARK TONED OAK</p> <p>WV03 OPAQUE BLACK</p>	<p>Top Edge Detail</p> <p>ST1 STRAIGHT EDGE 1</p> <p>RB2 REVERSE BEVEL 2</p> <p> ST1</p> <p> RB2</p> <p>Grade 1 laminate edge has a 2mm PVC edge. Grade 2 laminate has a 1mm ABS edge. Wood edge has a 3mm wood veneer edge.</p>	<p>Power</p> <p>Please see page 7 for Cove Table power prices and model codes.</p>	<p>Base Height</p> <p>B26 26"</p> <p>B29 28.5"</p> <p>Base size is automatically assigned during order entry.</p>	<p>Glide</p> <p>PLASTIC, PG CARPET</p> <p>SOFT PLASTIC, SG FLOOR</p> <p>All glides are adjustable. Soft plastic glides are not designed for sliding tables.</p>	<p>Base Set Up</p> <p>F PACKED</p> <p>A ASSEMBLED +269</p>	<p>Standard Powder Coated Metal</p> <p>BL BLUE</p> <p>NK NICKEL</p> <p>BM BLACK MATTE</p> <p>NV NAVY</p> <p>BR BRASS</p> <p>OR ORANGE</p> <p>BT BLACK TWILIGHT</p> <p>PY PALE YELLOW</p> <p>CP CHAMPAGNE</p> <p>RD RED</p> <p>DB DARK BRONZE</p> <p>RO RED ORANGE</p> <p>DG DARK GRAY</p> <p>RR RUSTY RED</p> <p>DP DUSTY PINK</p> <p>SB SOFT BLUE</p> <p>FG FOREST GREEN</p> <p>SD SAND</p> <p>LG LIGHT GRAY</p> <p>TC TERRACOTTA</p> <p>MG MEADOW GREEN</p> <p>TP TAUPE</p> <p>MK MILK</p> <p>TS TEXTURED SLATE</p> <p>MS METALLIC SILVER</p> <p>YL YELLOW</p>

Cove Tables

MULTI-PURPOSE TABLE: SOFT RECTANGLE

	SERIES	STYLE	WIDTH	LENGTH	Laminate Top Edge/Finish		Wood Veneer Top Edge/Finish		Wood Veneer Top Edge/Finish	
					STRAIGHT EDGE 1	REVERSE BEVEL 2	STRAIGHT EDGE 1	REVERSE BEVEL 2		
Multi-Purpose Table Soft Rectangle Top Dual Base Height options: 26", 28.5" Optional power through column Height adjustable glides Base ships flat packed or assembled	CVT	SR	42	56	2,555	3,754	3,523	4,156	4,027	4,549
				60	2,563	3,917	3,663	4,376	4,258	4,815
				72	2,781	4,318	3,998	4,829	4,846	5,473
				84	3,142	4,703	4,317	5,270	5,394	6,098
				96	3,219	5,377	4,657	6,003	5,959	6,638
				108	3,534	5,514	5,042	6,224	6,544	7,405



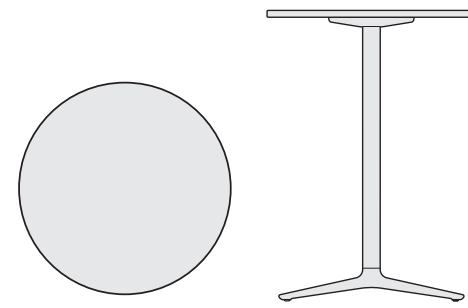
To Order Select Below

1. Series/Style	2. Top Size	3. Top Finish	4. Top Edge Detail	5. Power	6. Base Height	7. Glide	8. Base Set Up	9. Base Finish	
<ul style="list-style-type: none"> CVTSR 	<ul style="list-style-type: none"> 42056 42W x 56L 42060 42W x 60L 42072 42W x 72L 42084 42W x 84L 42096 42W x 96L 42108 42W x 108L 	<ul style="list-style-type: none"> LM01 DESIGNER WHITE LM02 ALABASTER LM03 WALLABY LM05 DOVE GREY LM06 FASHION GREY LM04 SHADOW LM08 NORTH SEA LM07 SLATE GREY LM09 BLACK LM10 FUSION MAPLE LM11 MONTICELLO MAPLE LM12 RIVER CHERRY LM13 AMBER CHERRY LM14 WALNUT HEIGHTS LM15 MONTANA WALNUT LM16 XANADU LM17 ASIAN NIGHT 	<ul style="list-style-type: none"> LM41 BIANCO KOS LM42 GRIGIO EFESO LM43 GRIGIO LONDRA LM44 GRIGIO BROMO LM45 NERO INGO 	<ul style="list-style-type: none"> WV05 TONED ASH WV06 NATURAL MAPLE WV49 NATURAL RECON WHITE OAK WV45 TONED RECON OAK WV44 TONED OAK WV48 NATURAL WHITE WV01 LIGHT GREY WV46 NATURAL FLAT CUT WALNUT WV47 NATURAL RIFT CUT WALNUT WV41 TONED RECON WALNUT WV04 MEDIUM CHERRY WV43 TONED WENGE WV02 WARM GREY WV42 DARK TONED OAK WV03 OPAQUE BLACK 	<ul style="list-style-type: none"> ST1 STRAIGHT EDGE 1 RB2 REVERSE BEVEL 2 	<ul style="list-style-type: none"> B26 26" B29 28.5" 	<ul style="list-style-type: none"> PG PLASTIC, CARPET SG SOFT PLASTIC, FLOOR 	<ul style="list-style-type: none"> F FLAT PACKED A ASSEMBLED +269 	<ul style="list-style-type: none"> BL BLUE BM BLACK MATTE BR BRASS BT BLACK TWILIGHT CP CHAMPAGNE DB DARK BRONZE DG DARK GRAY DP DUSTY PINK FG FOREST GREEN LG LIGHT GRAY MG MEADOW GREEN MK MILK MS METALLIC SILVER NK NICKEL NV NAVY OR ORANGE PY PALE YELLOW RD RED RO RED ORANGE RR RUSTY RED SB SOFT BLUE SD SAND TC TERRACOTTA TP TAUPE TS TEXTURED SLATE YL YELLOW

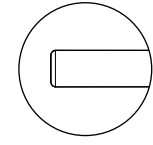
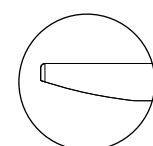
Cove Tables

COUNTER/BAR TABLE: ROUND

Counter/Bar Table Round Top Single Base	Height options: 36", 42" Height adjustable glides Base ships flat packed or assembled	SERIES	STYLE	TOP DIA.	BASE SIZE	Laminate Top Edge/Finish				Wood Veneer Top Edge/Finish	
						STRAIGHT EDGE 1		REVERSE BEVEL 2		STRAIGHT EDGE 1	REVERSE BEVEL 2
						GRADE 1	GRADE 2	GRADE 1	GRADE 2	GRADE 1	GRADE 1
		CVT	RD	30	S	1,317	1,922	1,997	2,204	2,020	2,330
				36	L	1,539	2,219	2,258	2,536	2,399	2,773



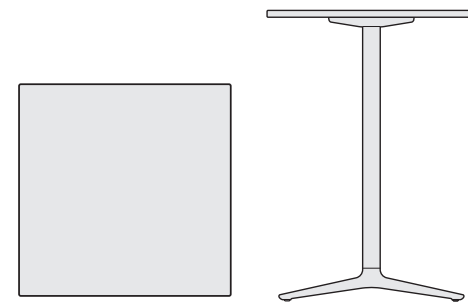
To Order Select Below

1. Series/Style	2. Top Size	3. Top Finish	4. Top Edge Detail	5. Power	6. Base Height	7. Glide	8. Base Set Up	9. Base Finish		
<p>CVTRD</p> <p>Cove Table Round Top</p>	<p>30000 30 DIA.</p> <p>36000 36</p>	<p>Laminate - Grade 1</p> <p>LM01 DESIGNER WHITE</p> <p>LM02 ALABASTER</p> <p>LM03 WALLABY</p> <p>LM05 DOVE GREY</p> <p>LM06 FASHION GREY</p> <p>LM04 SHADOW</p> <p>LM08 NORTH SEA</p> <p>LM07 SLATE GREY</p> <p>LM09 BLACK</p> <p>LM10 FUSION MAPLE</p> <p>LM11 MONTICELLO MAPLE</p> <p>LM12 RIVER CHERRY</p> <p>LM13 AMBER CHERRY</p> <p>LM14 WALNUT HEIGHTS</p> <p>LM15 MONTANA WALNUT</p> <p>LM16 XANADU</p> <p>LM17 ASIAN NIGHT</p>	<p>Laminate - Grade 2</p> <p>LM41 BIANCO KOS</p> <p>LM42 GRIGIO EFESO</p> <p>LM43 GRIGIO LONDRA</p> <p>LM44 GRIGIO BROMO</p> <p>LM45 NERO INGO</p> <p>Custom Finish</p> <p>LM99 CUSTOM LAMINATE</p> <p>WV99 CUSTOM WOOD</p> <p>See page 6 for custom laminate and custom wood details.</p>	<p>Wood Veneer - Grade 1</p> <p>WV05 TONED ASH</p> <p>WV06 NATURAL MAPLE</p> <p>WV49 NATURAL RECON WHITE OAK</p> <p>WV45 TONED RECON OAK</p> <p>WV44 TONED OAK</p> <p>WV48 NATURAL WHITE</p> <p>WV01 LIGHT GREY</p> <p>WV46 NATURAL FLAT CUT WALNUT</p> <p>WV47 NATURAL RIFT CUT WALNUT</p> <p>WV41 TONED RECON WALNUT</p> <p>WV04 MEDIUM CHERRY</p> <p>WV43 TONED WENGE</p> <p>WV02 WARM GREY</p> <p>WV42 DARK TONED OAK</p> <p>WV03 OPAQUE BLACK</p>	<p>Top Edge Detail</p> <p>ST1 STRAIGHT EDGE 1</p> <p>RB2 REVERSE BEVEL 2</p> <p> ST1</p> <p> RB2</p> <p>Grade 1 laminate edge has a 2mm PVC edge. Grade 2 laminate has a 1mm ABS edge. Wood edge has a 3mm wood veneer edge.</p>	<p>Power</p> <p>Power is unavailable as a standard option for Cove Tables with a single column.</p>	<p>Base Height</p> <p>B36 36"</p> <p>B42 42"</p> <p>Base size is automatically assigned during order entry.</p>	<p>Glide</p> <p>PLASTIC, PG CARPET</p> <p>SOFT PLASTIC, SG FLOOR</p> <p>All glides are adjustable. Soft plastic glides are not designed for sliding tables.</p>	<p>Base Set Up</p> <p>F PACKED</p> <p>A ASSEMBLED +202</p>	<p>Standard Powder Coated Metal</p> <p>BL BLUE</p> <p>NK NICKEL</p> <p>BM BLACK MATTE</p> <p>NV NAVY</p> <p>BR BRASS</p> <p>OR ORANGE</p> <p>BT BLACK TWILIGHT</p> <p>PY PALE YELLOW</p> <p>CP CHAMPAGNE</p> <p>RD RED</p> <p>DB DARK BRONZE</p> <p>RO RED ORANGE</p> <p>DG DARK GRAY</p> <p>RR RUSTY RED</p> <p>DP DUSTY PINK</p> <p>SB SOFT BLUE</p> <p>FG FOREST GREEN</p> <p>SD SAND</p> <p>LG LIGHT GRAY</p> <p>TC TERRACOTTA</p> <p>MG MEADOW GREEN</p> <p>TP TAUPE</p> <p>MK MILK</p> <p>TS TEXTURED SLATE</p> <p>MS METALLIC SILVER</p> <p>YL YELLOW</p>

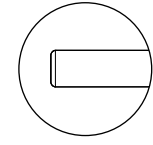
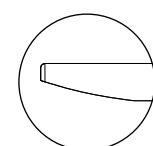
Cove Tables

COUNTER/BAR TABLE: TRUE RECTANGLE

Counter/Bar Table True Rectangle Top Single Base	Height options: 36", 42" Height adjustable glides Base ships flat packed or assembled	SERIES	STYLE	WIDTH	LENGTH	BASE SIZE	Laminate Top Edge/Finish		Wood Veneer Top Edge/Finish					
							STRAIGHT EDGE 1		REVERSE BEVEL 2		STRAIGHT EDGE 1		REVERSE BEVEL 2	
							GRADE 1	GRADE 2	GRADE 1	GRADE 2	GRADE 1	GRADE 2		
		CVT	TR	24	30	S	1,272	1,594	1,838	1,868	1,829	2,062		
				27	27	S	1,273	1,886	1,842	2,155	1,871	2,062		
				30	30	L	1,345	1,952	1,979	2,234	1,965	2,278		
				36	36	L	1,558	2,471	2,250	2,786	2,338	2,713		



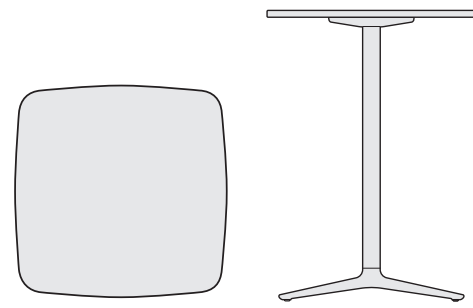
To Order Select Below

1. Series/Style	2. Top Size	3. Top Finish	4. Top Edge Detail	5. Power	6. Base Height	7. Glide	8. Base Set Up	9. Base Finish		
<p>CVTRR</p> <p>Cove Table True Rectangle Top</p>	<p>24030 24W x 30L</p> <p>27027 27W x 27L</p> <p>30030 30W x 30L</p> <p>36036 36W x 36L</p>	<p>Laminate - Grade 1</p> <p>LM01 DESIGNER WHITE</p> <p>LM02 ALABASTER</p> <p>LM03 WALLABY</p> <p>LM05 DOVE GREY</p> <p>LM06 FASHION GREY</p> <p>LM04 SHADOW</p> <p>LM08 NORTH SEA</p> <p>LM07 SLATE GREY</p> <p>LM09 BLACK</p> <p>LM10 FUSION MAPLE</p> <p>LM11 MONTICELLO MAPLE</p> <p>LM12 RIVER CHERRY</p> <p>LM13 AMBER CHERRY</p> <p>LM14 WALNUT HEIGHTS</p> <p>LM15 MONTANA WALNUT</p> <p>LM16 XANADU</p> <p>LM17 ASIAN NIGHT</p>	<p>Laminate - Grade 2</p> <p>LM41 BIANCO KOS</p> <p>LM42 GRIGIO EFESO</p> <p>LM43 GRIGIO LONDRA</p> <p>LM44 GRIGIO BROMO</p> <p>LM45 NERO INGO</p> <p>Custom Finish</p> <p>LM99 CUSTOM LAMINATE</p> <p>WV99 CUSTOM WOOD</p> <p>See page 6 for custom laminate and custom wood details.</p>	<p>Wood Veneer - Grade 1</p> <p>WV05 TONED ASH</p> <p>WV06 NATURAL MAPLE</p> <p>WV49 NATURAL RECON WHITE OAK</p> <p>WV45 TONED RECON OAK</p> <p>WV44 TONED OAK</p> <p>WV48 NATURAL WHITE</p> <p>WV01 LIGHT GREY</p> <p>WV46 NATURAL FLAT CUT WALNUT</p> <p>WV47 NATURAL RIFT CUT WALNUT</p> <p>WV41 TONED RECON WALNUT</p> <p>WV04 MEDIUM CHERRY</p> <p>WV43 TONED WENGE</p> <p>WV02 WARM GREY</p> <p>WV42 DARK TONED OAK</p> <p>WV03 OPAQUE BLACK</p>	<p>Top Edge Detail</p> <p>ST1 STRAIGHT EDGE 1</p> <p>RB2 REVERSE BEVEL 2</p> <p> ST1</p> <p> RB2</p> <p>Grade 1 laminate edge has a 2mm PVC edge. Grade 2 laminate has a 1mm ABS edge. Wood edge has a 3mm wood veneer edge.</p>	<p>Power</p> <p>Power is unavailable as a standard option for Cove Tables with a single column.</p>	<p>Base Height</p> <p>B36 36"</p> <p>B42 42"</p> <p>Base size is automatically assigned during order entry.</p>	<p>Glide</p> <p>PLASTIC, PG CARPET</p> <p>SOFT PLASTIC, SG FLOOR</p> <p>All glides are adjustable. Soft plastic glides are not designed for sliding tables.</p>	<p>Base Set Up</p> <p>F PACKED</p> <p>A ASSEMBLED +202</p>	<p>Standard Powder Coated Metal</p> <p>BL BLUE</p> <p>NK NICKEL</p> <p>BM BLACK MATTE</p> <p>NV NAVY</p> <p>BR BRASS</p> <p>OR ORANGE</p> <p>BT BLACK TWILIGHT</p> <p>PY PALE YELLOW</p> <p>CP CHAMPAGNE</p> <p>RD RED</p> <p>DB DARK BRONZE</p> <p>RO RED ORANGE</p> <p>DG DARK GRAY</p> <p>RR RUSTY RED</p> <p>DP DUSTY PINK</p> <p>SB SOFT BLUE</p> <p>FG FOREST GREEN</p> <p>SD SAND</p> <p>LG LIGHT GRAY</p> <p>TC TERRACOTTA</p> <p>MG MEADOW GREEN</p> <p>TP TAUPE</p> <p>MK MILK</p> <p>TS TEXTURED SLATE</p> <p>MS METALLIC SILVER</p> <p>YL YELLOW</p>

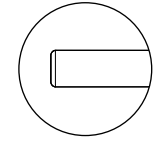
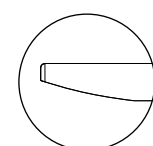
Cove Tables

COUNTER/BAR TABLE: SOFT RECTANGLE

Counter/Bar Table Soft Rectangle Top Single Base	Height options: 36", 42" Height adjustable glides Base ships flat packed or assembled	SERIES	STYLE	WIDTH	LENGTH	BASE SIZE	Laminate Top Edge/Finish				Wood Veneer Top Edge/Finish	
							STRAIGHT EDGE 1		REVERSE BEVEL 2		STRAIGHT EDGE 1	REVERSE BEVEL 2
							GRADE 1	GRADE 2	GRADE 1	GRADE 2	GRADE 1	GRADE 1
		CVT	SR	24	30	S	1,289	1,574	1,838	1,868	1,900	2,088
				27	27	S	1,292	1,856	1,842	2,155	1,801	2,088
				30	30	L	1,365	1,912	1,966	2,224	2,096	2,296
				36	36	L	1,579	2,431	2,258	2,792	2,399	2,773

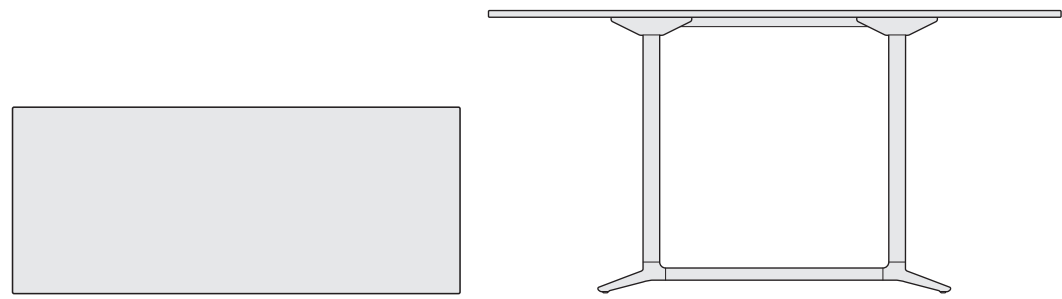


To Order Select Below

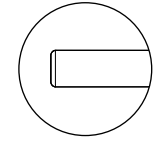
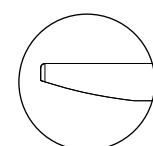
1. Series/Style	2. Top Size	3. Top Finish	4. Top Edge Detail	5. Power	6. Base Height	7. Glide	8. Base Set Up	9. Base Finish		
<p>CVTSR</p> <p>Cove Table Soft Rectangle Top</p>	<p>24030 24W x 30L</p> <p>27027 27W x 27L</p> <p>30030 30W x 30L</p> <p>36036 36W x 36L</p>	<p>Laminate - Grade 1</p> <p>LM01 DESIGNER WHITE</p> <p>LM02 ALABASTER</p> <p>LM03 WALLABY</p> <p>LM05 DOVE GREY</p> <p>LM06 FASHION GREY</p> <p>LM04 SHADOW</p> <p>LM08 NORTH SEA</p> <p>LM07 SLATE GREY</p> <p>LM09 BLACK</p> <p>LM10 FUSION MAPLE</p> <p>LM11 MONTICELLO MAPLE</p> <p>LM12 RIVER CHERRY</p> <p>LM13 AMBER CHERRY</p> <p>LM14 WALNUT HEIGHTS</p> <p>LM15 MONTANA WALNUT</p> <p>LM16 XANADU</p> <p>LM17 ASIAN NIGHT</p>	<p>Laminate - Grade 2</p> <p>LM41 BIANCO KOS</p> <p>LM42 GRIGIO EFESO</p> <p>LM43 GRIGIO LONDRA</p> <p>LM44 GRIGIO BROMO</p> <p>LM45 NERO INGO</p> <p>Custom Finish</p> <p>LM99 CUSTOM LAMINATE</p> <p>WV99 CUSTOM WOOD</p> <p>See page 6 for custom laminate and custom wood details.</p>	<p>Wood Veneer - Grade 1</p> <p>WV05 TONED ASH</p> <p>WV06 NATURAL MAPLE</p> <p>WV49 NATURAL RECON WHITE OAK</p> <p>WV45 TONED RECON OAK</p> <p>WV44 TONED OAK</p> <p>WV48 NATURAL WHITE</p> <p>WV01 LIGHT GREY</p> <p>WV46 NATURAL FLAT CUT WALNUT</p> <p>WV47 NATURAL RIFT CUT WALNUT</p> <p>WV41 TONED RECON WALNUT</p> <p>WV04 MEDIUM CHERRY</p> <p>WV43 TONED WENGE</p> <p>WV02 WARM GREY</p> <p>WV42 DARK TONED OAK</p> <p>WV03 OPAQUE BLACK</p>	<p>Top Edge Detail</p> <p>ST1 STRAIGHT EDGE 1</p> <p>RB2 REVERSE BEVEL 2</p> <p> ST1</p> <p> RB2</p> <p>Grade 1 laminate edge has a 2mm PVC edge. Grade 2 laminate has a 1mm ABS edge. Wood edge has a 3mm wood veneer edge.</p>	<p>Power</p> <p>Power is unavailable as a standard option for Cove Tables with a single column.</p>	<p>Base Height</p> <p>B36 36"</p> <p>B42 42"</p> <p>Base size is automatically assigned during order entry.</p>	<p>Glide</p> <p>PLASTIC, PG CARPET</p> <p>SOFT PLASTIC, SG FLOOR</p> <p>All glides are adjustable. Soft plastic glides are not designed for sliding tables.</p>	<p>Base Set Up</p> <p>F PACKED</p> <p>A ASSEMBLED +202</p>	<p>Standard Powder Coated Metal</p> <p>BL BLUE</p> <p>NK NICKEL</p> <p>BM BLACK MATTE</p> <p>NV NAVY</p> <p>BR BRASS</p> <p>OR ORANGE</p> <p>BT BLACK TWILIGHT</p> <p>PY PALE YELLOW</p> <p>CP CHAMPAGNE</p> <p>RD RED</p> <p>DB DARK BRONZE</p> <p>RO RED ORANGE</p> <p>DG DARK GRAY</p> <p>RR RUSTY RED</p> <p>DP DUSTY PINK</p> <p>SB SOFT BLUE</p> <p>FG FOREST GREEN</p> <p>SD SAND</p> <p>LG LIGHT GRAY</p> <p>TC TERRACOTTA</p> <p>MG MEADOW GREEN</p> <p>TP TAUPE</p> <p>MK MILK</p> <p>TS TEXTURED SLATE</p> <p>MS METALLIC SILVER</p> <p>YL YELLOW</p>

Cove Tables

COUNTER/BAR TABLE: TRUE RECTANGLE

	SERIES	STYLE	WIDTH	LENGTH	Laminate Top Edge/Finish		Wood Veneer Top Edge/Finish			
					STRAIGHT EDGE 1	REVERSE BEVEL 2	STRAIGHT EDGE 1	REVERSE BEVEL 2	GRADE 1	GRADE 2
Counter/Bar Table True Rectangle Top Dual Base Height options: 36", 42" Optional power through column Height adjustable glides Base ships flat packed or assembled 	CVT	TR	30	56	2,561	3,753	3,415	4,095	3,651	4,078
				60	2,566	4,059	3,491	4,405	3,791	4,234
				72	2,767	4,501	3,814	4,878	4,281	4,786
				84	2,801	4,904	4,091	5,308	4,709	5,264
				96	2,953	5,326	4,388	5,762	5,118	5,728
				108	3,193	5,749	4,687	6,211	5,586	6,247
			36	56	2,707	3,965	3,624	4,337	3,947	4,424
				60	2,713	3,993	3,714	4,379	4,114	4,616
				72	2,930	4,566	4,046	4,986	4,645	5,211
				84	3,306	5,005	4,390	5,456	5,169	5,804
				96	3,376	5,437	4,724	5,925	5,641	6,338
				108	3,703	5,875	5,059	6,394	6,176	6,943

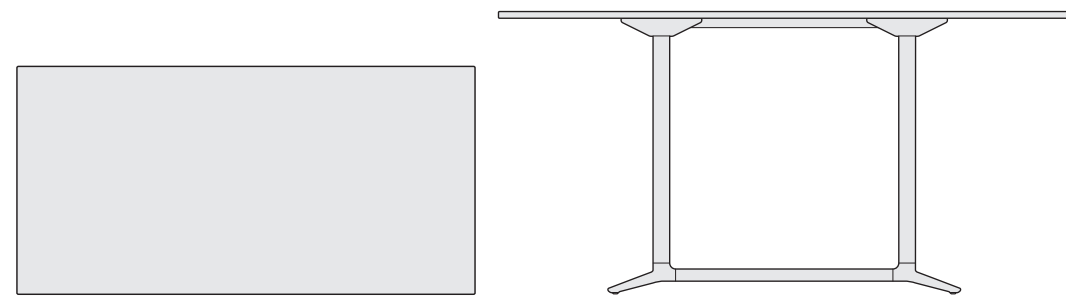
To Order Select Below

1. Series/Style	2. Top Size	3. Top Finish	4. Top Edge Detail	5. Power	6. Base Height	7. Glide	8. Base Set Up	9. Base Finish		
<p>CVTRR</p> <p>Cove Table True Rectangle Top</p>	<p>Top Size</p> <p>30056 30W x 56L</p> <p>30060 30W x 60L</p> <p>30072 30W x 72L</p> <p>30084 30W x 84L</p> <p>30096 30W x 96L</p> <p>30108 30W x 108L</p> <p>36056 36W x 56L</p> <p>36060 36W x 60L</p> <p>36072 36W x 72L</p> <p>36084 36W x 84L</p> <p>36096 36W x 96L</p> <p>36108 36W x 108L</p>	<p>Laminate - Grade 1</p> <p>LM01 DESIGNER WHITE</p> <p>LM02 ALABASTER</p> <p>LM03 WALLABY</p> <p>LM05 DOVE GREY</p> <p>LM06 FASHION GREY</p> <p>LM04 SHADOW</p> <p>LM08 NORTH SEA</p> <p>LM07 SLATE GREY</p> <p>LM09 BLACK</p> <p>LM10 FUSION MAPLE</p> <p>LM11 MONTICELLO MAPLE</p> <p>LM12 RIVER CHERRY</p> <p>LM13 AMBER CHERRY</p> <p>LM14 WALNUT HEIGHTS</p> <p>LM15 MONTANA WALNUT</p> <p>LM16 XANADU</p> <p>LM17 ASIAN NIGHT</p>	<p>Laminate - Grade 2</p> <p>LM41 BIANCO KOS</p> <p>LM42 GRIGIO EFESO</p> <p>LM43 GRIGIO LONDRA</p> <p>LM44 GRIGIO BROMO</p> <p>LM45 NERO INGO</p> <p>Custom Finish</p> <p>LM99 CUSTOM LAMINATE</p> <p>WV99 CUSTOM WOOD</p> <p>See page 6 for custom laminate and custom wood details.</p>	<p>Wood Veneer - Grade 1</p> <p>WV05 TONED ASH</p> <p>WV06 NATURAL MAPLE</p> <p>WV49 NATURAL RECON WHITE OAK</p> <p>WV45 TONED RECON OAK</p> <p>WV44 TONED OAK</p> <p>WV48 NATURAL WHITE</p> <p>WV01 LIGHT GREY</p> <p>WV46 NATURAL FLAT CUT WALNUT</p> <p>WV47 NATURAL RIFT CUT WALNUT</p> <p>WV41 TONED RECON WALNUT</p> <p>WV04 MEDIUM CHERRY</p> <p>WV43 TONED WENGE</p> <p>WV02 WARM GREY</p> <p>WV42 DARK TONED OAK</p> <p>WV03 OPAQUE BLACK</p>	<p>Top Edge Detail</p> <p>ST1 STRAIGHT EDGE 1</p> <p>RB2 REVERSE BEVEL 2</p> <p> ST1</p> <p> RB2</p> <p>Grade 1 laminate edge has a 2mm PVC edge. Grade 2 laminate has a 1mm ABS edge. Wood edge has a 3mm wood veneer edge.</p>	<p>Power</p> <p>Please see page 7 for Cove Table power prices and model codes.</p>	<p>Base Height</p> <p>B36 36"</p> <p>B42 42"</p> <p>Base size is automatically assigned during order entry.</p>	<p>Glide</p> <p>PLASTIC, PG CARPET</p> <p>SOFT PLASTIC, SG FLOOR</p> <p>All glides are adjustable. Soft plastic glides are not designed for sliding tables.</p>	<p>Base Set Up</p> <p>F PACKED</p> <p>A ASSEMBLED +402</p>	<p>Standard Powder Coated Metal</p> <p>BL BLUE</p> <p>NK NICKEL</p> <p>BM BLACK MATTE</p> <p>NV NAVY</p> <p>BR BRASS</p> <p>OR ORANGE</p> <p>BT BLACK TWILIGHT</p> <p>PY PALE YELLOW</p> <p>CP CHAMPAGNE</p> <p>RD RED</p> <p>DB DARK BRONZE</p> <p>RO RED ORANGE</p> <p>DG DARK GRAY</p> <p>RR RUSTY RED</p> <p>DP DUSTY PINK</p> <p>SB SOFT BLUE</p> <p>FG FOREST GREEN</p> <p>SD SAND</p> <p>LG LIGHT GRAY</p> <p>TC TERRACOTTA</p> <p>MG MEADOW GREEN</p> <p>TP TAUPE</p> <p>MK MILK</p> <p>TS TEXTURED SLATE</p> <p>MS METALLIC SILVER</p> <p>YL YELLOW</p>

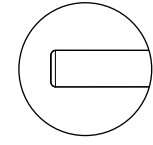
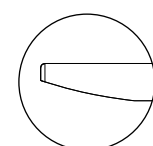
Cove Tables

COUNTER/BAR TABLE: TRUE RECTANGLE

	SERIES	STYLE	WIDTH	LENGTH	Laminate Top Edge/Finish		Wood Veneer Top Edge/Finish			
					STRAIGHT EDGE 1	REVERSE BEVEL 2	STRAIGHT EDGE 1	REVERSE BEVEL 2	GRADE 1	GRADE 1
Counter/Bar Table True Rectangle Top Dual Base Height options: 36", 42" Optional power through column Height adjustable glides Base ships flat packed or assembled	CVT	TR	42	56	2,744	4,041	3,832	4,441	4,241	4,772
				60	2,747	4,210	3,934	4,631	4,435	4,990
				72	2,959	4,677	4,334	5,139	5,063	5,698
				84	3,321	5,106	4,687	5,604	5,629	6,335
				96	3,397	5,830	5,060	6,363	6,163	6,946
			108	3,708	5,996	5,435	6,582	6,768	7,620	

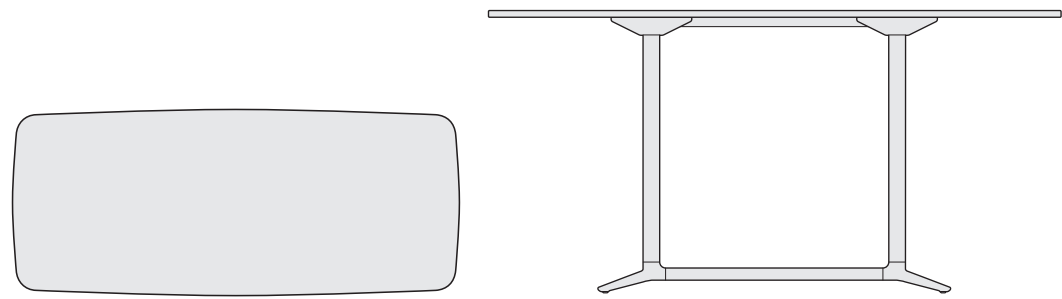


To Order Select Below

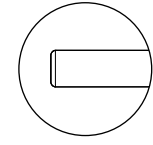
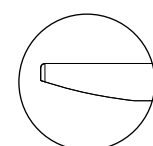
1. Series/Style	2. Top Size	3. Top Finish	4. Top Edge Detail	5. Power	6. Base Height	7. Glide	8. Base Set Up	9. Base Finish		
<p>CVTRR</p> <p>Cove Table True Rectangle Top</p>	<p>42056 42W x 56L</p> <p>42060 42W x 60L</p> <p>42072 42W x 72L</p> <p>42084 42W x 84L</p> <p>42096 42W x 96L</p> <p>42108 42W x 108L</p>	<p>Laminate - Grade 1</p> <p>LM01 DESIGNER WHITE</p> <p>LM02 ALABASTER</p> <p>LM03 WALLABY</p> <p>LM05 DOVE GREY</p> <p>LM06 FASHION GREY</p> <p>LM04 SHADOW</p> <p>LM08 NORTH SEA</p> <p>LM07 SLATE GREY</p> <p>LM09 BLACK</p> <p>LM10 FUSION MAPLE</p> <p>LM11 MONTICELLO MAPLE</p> <p>LM12 RIVER CHERRY</p> <p>LM13 AMBER CHERRY</p> <p>LM14 WALNUT HEIGHTS</p> <p>LM15 MONTANA WALNUT</p> <p>LM16 XANADU</p> <p>LM17 ASIAN NIGHT</p>	<p>Laminate - Grade 2</p> <p>LM41 BIANCO KOS</p> <p>LM42 GRIGIO EFESO</p> <p>LM43 GRIGIO LONDRA</p> <p>LM44 GRIGIO BROMO</p> <p>LM45 NERO INGO</p> <p>Custom Finish</p> <p>LM99 CUSTOM LAMINATE</p> <p>WV99 CUSTOM WOOD</p> <p>See page 6 for custom laminate and custom wood details.</p>	<p>Wood Veneer - Grade 1</p> <p>WV05 TONED ASH</p> <p>WV06 NATURAL MAPLE</p> <p>WV49 NATURAL RECON WHITE OAK</p> <p>WV45 TONED RECON OAK</p> <p>WV44 TONED OAK</p> <p>WV48 NATURAL WHITE</p> <p>WV01 LIGHT GREY</p> <p>WV46 NATURAL FLAT CUT WALNUT</p> <p>WV47 NATURAL RIFT CUT WALNUT</p> <p>WV41 TONED RECON WALNUT</p> <p>WV04 MEDIUM CHERRY</p> <p>WV43 TONED WENGE</p> <p>WV02 WARM GREY</p> <p>WV42 DARK TONED OAK</p> <p>WV03 OPAQUE BLACK</p>	<p>Top Edge Detail</p> <p>ST1 STRAIGHT EDGE 1</p> <p>RB2 REVERSE BEVEL 2</p> <p> ST1</p> <p> RB2</p> <p>Grade 1 laminate edge has a 2mm PVC edge. Grade 2 laminate has a 1mm ABS edge. Wood edge has a 3mm wood veneer edge.</p>	<p>Power</p> <p>Please see page 7 for Cove Table power prices and model codes.</p>	<p>Base Height</p> <p>B36 36"</p> <p>B42 42"</p> <p>Base size is automatically assigned during order entry.</p>	<p>Glide</p> <p>PLASTIC, PG CARPET</p> <p>SOFT PLASTIC, SG FLOOR</p> <p>All glides are adjustable. Soft plastic glides are not designed for sliding tables.</p>	<p>Base Set Up</p> <p>F PACKED</p> <p>A ASSEMBLED +402</p>	<p>Standard Powder Coated Metal</p> <p>BL BLUE</p> <p>NK NICKEL</p> <p>BM BLACK MATTE</p> <p>NV NAVY</p> <p>BR BRASS</p> <p>OR ORANGE</p> <p>BT BLACK TWILIGHT</p> <p>PY PALE YELLOW</p> <p>CP CHAMPAGNE</p> <p>RD RED</p> <p>DB DARK BRONZE</p> <p>RO RED ORANGE</p> <p>DG DARK GRAY</p> <p>RR RUSTY RED</p> <p>DP DUSTY PINK</p> <p>SB SOFT BLUE</p> <p>FG FOREST GREEN</p> <p>SD SAND</p> <p>LG LIGHT GRAY</p> <p>TC TERRACOTTA</p> <p>MG MEADOW GREEN</p> <p>TP TAUPE</p> <p>MK MILK</p> <p>TS TEXTURED SLATE</p> <p>MS METALLIC SILVER</p> <p>YL YELLOW</p>

Cove Tables

COUNTER/BAR TABLE: SOFT RECTANGLE

	SERIES	STYLE	WIDTH	LENGTH	Laminate Top Edge/Finish		Wood Veneer Top Edge/Finish				
					STRAIGHT EDGE 1	REVERSE BEVEL 2	STRAIGHT EDGE 1	REVERSE BEVEL 2	GRADE 1	GRADE 2	
Counter/Bar Table Soft Rectangle Top Dual Base Height options: 36", 42" Optional power through column Height adjustable glides Base ships flat packed or assembled 	CVT	SR	30	56	56	2,591	3,678	3,400	4,081	3,702	4,128
				60	60	2,594	3,962	3,467	4,385	3,833	4,285
				72	72	2,795	4,395	3,787	4,858	4,341	4,837
				84	84	2,913	4,768	4,043	5,268	4,752	5,307
				96	96	2,980	5,160	4,317	5,702	5,155	5,728
				108	108	3,224	5,547	4,592	6,138	5,611	6,445
			36	56	56	2,735	3,869	3,586	4,308	3,989	4,467
				60	60	2,741	3,892	3,666	4,346	4,147	4,652
				72	72	2,959	4,384	3,931	4,893	4,628	5,192
				84	84	3,337	4,838	4,309	5,392	5,202	5,837
				96	96	3,408	5,240	4,614	5,841	5,666	6,310
				108	108	3,736	5,638	4,925	6,286	6,185	6,951

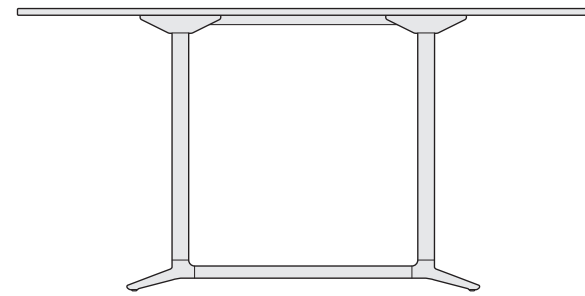
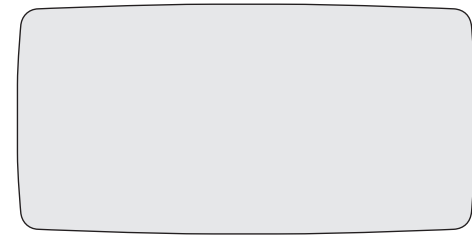
To Order Select Below

1. Series/Style	2. Top Size	3. Top Finish	4. Top Edge Detail	5. Power	6. Base Height	7. Glide	8. Base Set Up	9. Base Finish		
<p>CVTSR</p> <p>Cove Table Soft Rectangle Top</p>	<p>Top Size</p> <p>30056 30W x 56L</p> <p>30060 30W x 60L</p> <p>30072 30W x 72L</p> <p>30084 30W x 84L</p> <p>30096 30W x 96L</p> <p>30108 30W x 108L</p> <p>36056 36W x 56L</p> <p>36060 36W x 60L</p> <p>36072 36W x 72L</p> <p>36084 36W x 84L</p> <p>36096 36W x 96L</p> <p>36108 36W x 108L</p>	<p>Laminate - Grade 1</p> <p>LM01 DESIGNER WHITE</p> <p>LM02 ALABASTER</p> <p>LM03 WALLABY</p> <p>LM05 DOVE GREY</p> <p>LM06 FASHION GREY</p> <p>LM04 SHADOW</p> <p>LM08 NORTH SEA</p> <p>LM07 SLATE GREY</p> <p>LM09 BLACK</p> <p>LM10 FUSION MAPLE</p> <p>LM11 MONTICELLO MAPLE</p> <p>LM12 RIVER CHERRY</p> <p>LM13 AMBER CHERRY</p> <p>LM14 WALNUT HEIGHTS</p> <p>LM15 MONTANA WALNUT</p> <p>LM16 XANADU</p> <p>LM17 ASIAN NIGHT</p>	<p>Laminate - Grade 2</p> <p>LM41 BIANCO KOS</p> <p>LM42 GRIGIO EFESO</p> <p>LM43 GRIGIO LONDRA</p> <p>LM44 GRIGIO BROMO</p> <p>LM45 NERO INGO</p> <p>Custom Finish</p> <p>LM99 CUSTOM LAMINATE</p> <p>WV99 CUSTOM WOOD</p> <p>See page 6 for custom laminate and custom wood details.</p>	<p>Wood Veneer - Grade 1</p> <p>WV05 TONED ASH</p> <p>WV06 NATURAL MAPLE</p> <p>WV49 NATURAL RECON WHITE OAK</p> <p>WV45 TONED RECON OAK</p> <p>WV44 TONED OAK</p> <p>WV48 NATURAL WHITE</p> <p>WV01 LIGHT GREY</p> <p>WV46 NATURAL FLAT CUT WALNUT</p> <p>WV47 NATURAL RIFT CUT WALNUT</p> <p>WV41 TONED RECON WALNUT</p> <p>WV04 MEDIUM CHERRY</p> <p>WV43 TONED WENGE</p> <p>WV02 WARM GREY</p> <p>WV42 DARK TONED OAK</p> <p>WV03 OPAQUE BLACK</p>	<p>Top Edge Detail</p> <p>ST1 STRAIGHT EDGE 1</p> <p>RB2 REVERSE BEVEL 2</p> <p> ST1</p> <p> RB2</p> <p>Grade 1 laminate edge has a 2mm PVC edge. Grade 2 laminate has a 1mm ABS edge. Wood edge has a 3mm wood veneer edge.</p>	<p>Power</p> <p>Please see page 7 for Cove Table power prices and model codes.</p>	<p>Base Height</p> <p>B36 36"</p> <p>B42 42"</p> <p>Base size is automatically assigned during order entry.</p>	<p>Glide</p> <p>PLASTIC, PG CARPET</p> <p>SOFT PLASTIC, SG FLOOR</p> <p>All glides are adjustable. Soft plastic glides are not designed for sliding tables.</p>	<p>Base Set Up</p> <p>F PACKED</p> <p>A ASSEMBLED +402</p>	<p>Standard Powder Coated Metal</p> <p>BL BLUE</p> <p>NK NICKEL</p> <p>BM BLACK MATTE</p> <p>NV NAVY</p> <p>BR BRASS</p> <p>OR ORANGE</p> <p>BT BLACK TWILIGHT</p> <p>PY PALE YELLOW</p> <p>CP CHAMPAGNE</p> <p>RD RED</p> <p>DB DARK BRONZE</p> <p>RO RED ORANGE</p> <p>DG DARK GRAY</p> <p>RR RUSTY RED</p> <p>DP DUSTY PINK</p> <p>SB SOFT BLUE</p> <p>FG FOREST GREEN</p> <p>SD SAND</p> <p>LG LIGHT GRAY</p> <p>TC TERRACOTTA</p> <p>MG MEADOW GREEN</p> <p>TP TAUPE</p> <p>MK MILK</p> <p>TS TEXTURED SLATE</p> <p>MS METALLIC SILVER</p> <p>YL YELLOW</p>

Cove Tables

COUNTER/BAR TABLE: SOFT RECTANGLE

	SERIES	STYLE	WIDTH	LENGTH	Laminate Top Edge/Finish		Wood Veneer Top Edge/Finish		Wood Veneer Top Edge/Finish	
					STRAIGHT EDGE 1	REVERSE BEVEL 2	STRAIGHT EDGE 1	REVERSE BEVEL 2		
Counter/Bar Table Soft Rectangle Top Dual Base Height options: 36", 42" Optional power through column Height adjustable glides Base ships flat packed or assembled	CVT	SR	42	56	2,761	3,960	3,729	4,362	4,233	4,755
				60	2,765	4,119	3,865	4,578	4,460	5,017
				72	2,989	4,526	4,206	5,037	5,054	5,681
				84	3,352	4,913	4,527	5,480	5,604	6,308
				96	3,431	5,589	4,869	6,215	6,171	6,850
				108	3,749	5,729	5,257	6,439	6,759	7,620



To Order Select Below

1. Series/Style	2. Top Size	3. Top Finish	4. Top Edge Detail	5. Power	6. Base Height	7. Glide	8. Base Set Up	9. Base Finish	
<ul style="list-style-type: none"> CVTSR 	<ul style="list-style-type: none"> 42056 42W x 56L 42060 42W x 60L 42072 42W x 72L 42084 42W x 84L 42096 42W x 96L 42108 42W x 108L 	<ul style="list-style-type: none"> LM01 DESIGNER WHITE LM02 ALABASTER LM03 WALLABY LM05 DOVE GREY LM06 FASHION GREY LM04 SHADOW LM08 NORTH SEA LM07 SLATE GREY LM09 BLACK LM10 FUSION MAPLE LM11 MONTICELLO MAPLE LM12 RIVER CHERRY LM13 AMBER CHERRY LM14 WALNUT HEIGHTS LM15 MONTANA WALNUT LM16 XANADU LM17 ASIAN NIGHT 	<ul style="list-style-type: none"> LM41 BIANCO KOS LM42 GRIGIO EFESO LM43 GRIGIO LONDRA LM44 GRIGIO BROMO LM45 NERO INGO 	<ul style="list-style-type: none"> WV05 TONED ASH WV06 NATURAL MAPLE WV49 NATURAL RECON WHITE OAK WV45 TONED RECON OAK WV44 TONED OAK WV48 NATURAL WHITE WV01 LIGHT GREY WV46 NATURAL FLAT CUT WALNUT WV47 NATURAL RIFT CUT WALNUT WV41 TONED RECON WALNUT WV04 MEDIUM CHERRY WV43 TONED WENGE WV02 WARM GREY WV42 DARK TONED OAK WV03 OPAQUE BLACK 	<ul style="list-style-type: none"> ST1 STRAIGHT EDGE 1 RB2 REVERSE BEVEL 2 	<ul style="list-style-type: none"> B36 36" B42 42" 	<ul style="list-style-type: none"> PG PLASTIC, CARPET SG SOFT PLASTIC, FLOOR 	<ul style="list-style-type: none"> F FLAT PACKED A ASSEMBLED +402 	<ul style="list-style-type: none"> BL BLUE BM BLACK MATTE BR BRASS BT BLACK TWILIGHT CP CHAMPAGNE DB DARK BRONZE DG DARK GRAY DP DUSTY PINK FG FOREST GREEN LG LIGHT GRAY MG MEADOW GREEN MK MILK MS METALLIC SILVER NK NICKEL NV NAVY OR ORANGE PY PALE YELLOW RD RED RO RED ORANGE RR RUSTY RED SB SOFT BLUE SD SAND TC TERRACOTTA TP TAUPE TS TEXTURED SLATE YL YELLOW