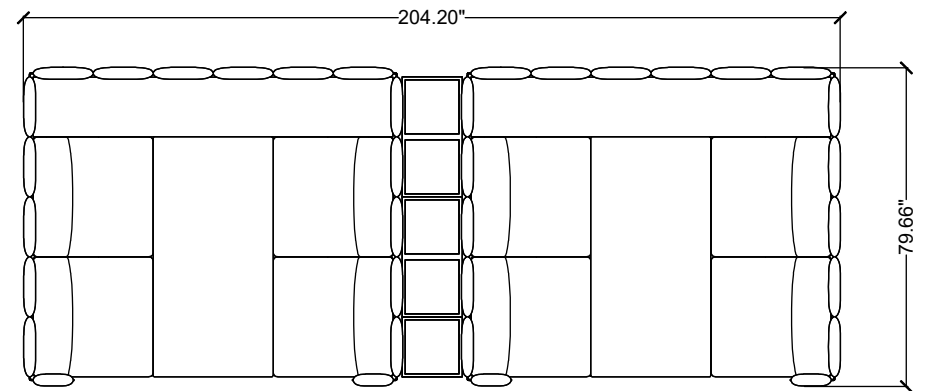


stylex

AMBI 02



Materials priced in Grade B Fabric. This specification is for budget purposes and reflects list pricing.



AMBI 02

LINE	PART NUMBER	PART DESCRIPTION	QTY	LIST	EXT. LIST
1	CATRB27T3060LM	Cala, Café, 27.5H, True Rectangle, 30D x 60W, Laminate	2	\$2,973.00	\$5,946.00
2	AMBD20	Ambi, Double Booth, Double, Standard Uph	2	\$19,592.00	\$39,184.00
3	AMPL15	Ambi, Planter Single, 15W x 15D x 52H	1	\$3,695.00	\$3,695.00
4	AMPL30	Ambi, Planter Double, 30W x 15D x 52H	2	\$4,560.00	\$9,120.00
				Quote Total:	\$57,945.00