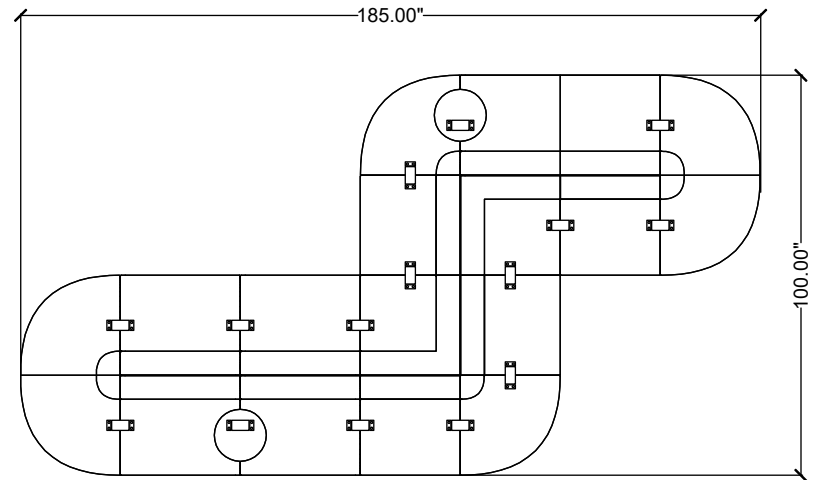


stylex

LUNA 09



Materials priced in Grade B Fabric. This specification is for budget purposes and reflects list pricing.



LUNA 09

LINE	PART NUMBER	PART DESCRIPTION	QTY	LIST	EXT. LIST
1	LN71	Luna, Round Tray Table	2	\$503.00	\$1,006.00
2	LNP11L25	Luna, Plinth, Standard, Low Back, 25in Long, Standard Uph	4	\$2,839.00	\$11,356.00
3	LNP11L30	Luna, Plinth, Standard, Low Back, 30in Long, Standard Uph	4	\$2,839.00	\$11,356.00
4	LNP11L50	Luna, Plinth, Standard, Low Back, 50in Long, Standard Uph	1	\$3,702.00	\$3,702.00
5	LNP42L25	Luna, Plinth, Square Inside Corner, Low Back, Standard Uph	2	\$3,110.00	\$6,220.00
6	LNP51L25	Luna, Plinth, Round Outside Corner, Low Back, Standard Uph	2	\$2,228.00	\$4,456.00
7	LNP52L50	Luna, Plinth, Round End Cap, Low Back, 50in Long, Standard Uph	2	\$3,739.00	\$7,478.00

Quote Total: \$45,574.00