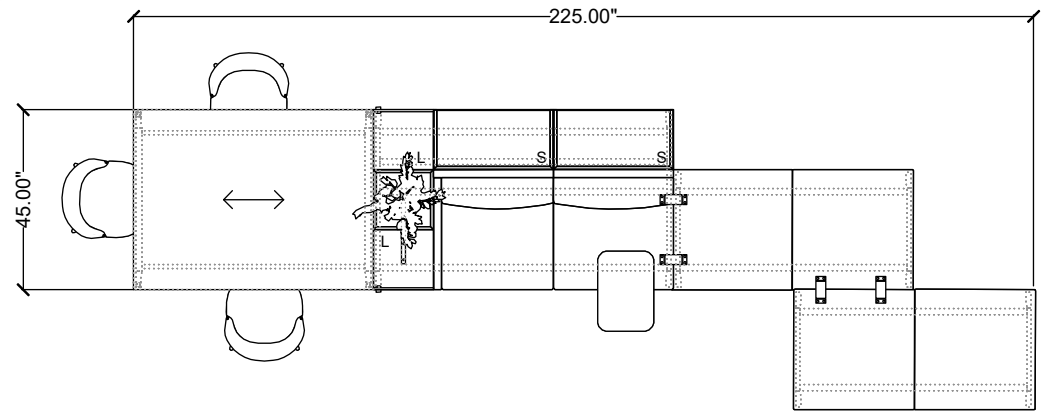


# stylex

FREE ADDRESS 03



Materials priced in Grade B Fabric. This specification is for budget purposes and reflects list pricing.



## FREE ADDRESS 03

#	Qty	Part Number	Description	List	Ext. List
<b>Free Address 03</b>					
1	2	FA02S	Free Address Double Bench, Standard	\$1,774.00	\$3,548.00
2	1	FA12SE29R	Free Address 29 Height Low-Back Double With End Panel 29"H Right Side, Standard	\$4,024.00	\$4,024.00
3	1	FA5D4560	Free Address Table - Desk Height 45 x 60	\$2,506.00	\$2,506.00
4	1	FA6L1H29	Free Address Locker - Single, 29" Height	\$1,677.00	\$1,677.00
5	1	FA6L1H29	Free Address Locker - Single, 29" Height	\$1,677.00	\$1,677.00
6	1	FA6P1H29	Free Address Planter - Single, 29" Height	\$1,379.00	\$1,379.00
7	2	FA6SH29	Free Address Shelving Unit, 29" Height	\$1,861.00	\$3,722.00
8	2	FA8SD30L60	Free Address Frame - Seat Height, 30" Depth 60" Length	\$1,145.00	\$2,290.00
9	1	FA8SD45L75	Free Address Frame - Seat Height, 45" Depth 75" Length	\$1,834.00	\$1,834.00
10	4	FAFG1	Free Address Free Address Frame Ganging 1 (Seats)	\$54.00	\$216.00
11	1	TR2014265	Trim, 20Lx14Wx26.5H, Pull-Up	\$1,211.00	\$1,211.00
12	3	UL1112	Underline Chair, Armless, Four Leg Wood	\$1,177.00	\$3,531.00
				<b>Total Free Address 03</b>	<b>\$27,615.00</b>