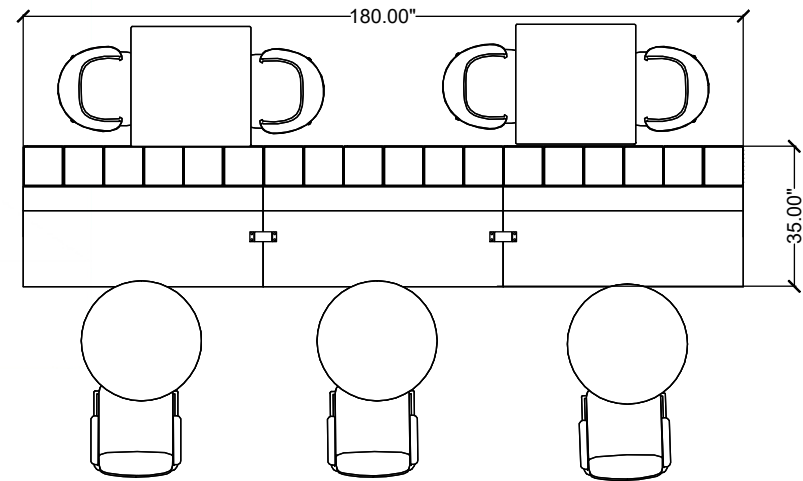


stylex

VINA 12



Materials priced in Grade B Fabric. This specification is for budget purposes and reflects list pricing.



VINA 12

LINE	PART NUMBER	PART DESCRIPTION	QTY	LIST	EXT. LIST
1	CARDB29T3000LM	Cala, Café, 29H, Round, 30 Dia, Laminate	3	\$2,069.00	\$6,207.00
2	CATRB29T3030LM	Cala, Café, 29H, True Rectangle, 30D x 30W, Laminate	2	\$2,002.00	\$4,004.00
3	AL11110	Anla, Armless, Standard Upholstery, Four Leg Aluminum	4	\$1,568.00	\$6,272.00
4	DL121	Dela, Guest 4-Leg Arm, Fully Upholstered	3	\$1,376.00	\$4,128.00
5	LNP11L60	Luna, Plinth, Standard, Low Back, 60in Long, Standard Uph	1	\$4,553.00	\$4,553.00
6	LNP11L60	Luna, Plinth, Standard, Low Back, 60in Long, Standard Uph	1	\$4,553.00	\$4,553.00
7	LNP11L60	Luna, Plinth, Standard, Low Back, 60in Long, Standard Uph	1	\$4,553.00	\$4,553.00
8	VNP102035	Vina, Planter, Double, 10D x 20W, 35H	1	\$1,805.00	\$1,805.00
9	VNP104035	Vina, Planter, Quad, 10D x 40W, 35H	4	\$2,699.00	\$10,796.00
				Quote Total:	\$46,871.00