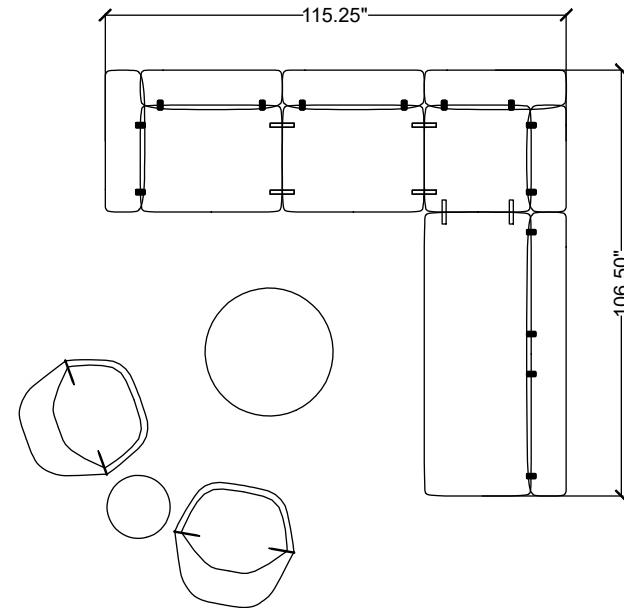


# stylex

YOOM 04



Materials priced in Grade B Fabric. This specification is for budget purposes and reflects list pricing.

# stylex

## YOOM 04

| LINE | PART NUMBER | PART DESCRIPTION                                       | QTY | LIST       | EXT. LIST  |
|------|-------------|--|-----|------------|------------|
| 1    | DU11016     | Dau Lounge Single, Glide                               | 2   | \$2,841.00 | \$5,682.00 |
| 2    | DU501       | Dau Wire Table Small                                   | 1   | \$1,293.00 | \$1,293.00 |
| 3    | DU503       | Dau Upholstered Table Large                            | 1   | \$2,794.00 | \$2,794.00 |
| 4    | YM2611      | Yoom Boxed Soft, Seat, Single Seat                     | 2   | \$2,148.00 | \$4,296.00 |
| 5    | YM2613      | Yoom Boxed Soft, Seat, Narrow Seat                     | 1   | \$1,717.00 | \$1,717.00 |
| 6    | YM26143400  | Yoom Boxed Soft, Pre-Configured, Double Chair, Armless | 1   | \$6,439.00 | \$6,439.00 |
| 7    | YM2632      | Yoom Boxed Soft, Back, Single Back High                | 3   | \$1,618.00 | \$4,854.00 |
| 8    | YM2633      | Yoom Boxed Soft, Back, Narrow Back                     | 1   | \$1,323.00 | \$1,323.00 |
| 9    | YM2651      | Yoom Boxed Soft, Arm, Single Low                       | 1   | \$1,231.00 | \$1,231.00 |

**Quote Total: \$29,629.00**