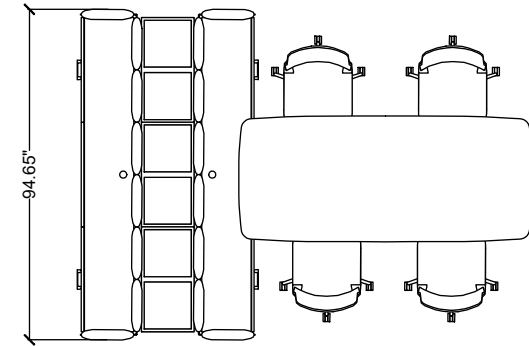
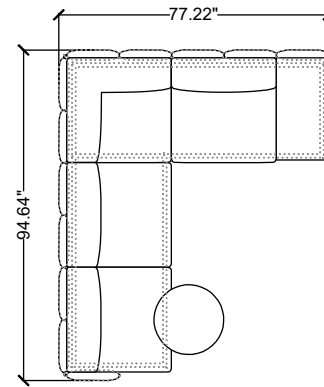


stylex

AMBI 11



Materials priced in Grade B Fabric. This specification is for budget purposes and reflects list pricing.



AMBI 11

LINE	PART NUMBER	PART DESCRIPTION	QTY	LIST	EXT. LIST
1	CARDB26T2000MT	Cala, Laptop, 26H, Round, 20 Dia, Metal	1	\$1,293.00	\$1,293.00
2	AMCG15BH	Ambi, Caseloads, Side Table Box, 15W x 29D, High Screen Attachment, No Screen Attachment	1	\$1,209.00	\$1,209.00
3	AMSG14H	Ambi, Seating, Corner, High Screen Attachment, Standard Uph	1	\$2,521.00	\$2,521.00
4	AMSG10H	Ambi, Seating, Single, High Screen Attachment, Standard Uph	3	\$1,871.00	\$5,613.00
5	AMFR7590HR15	Ambi, Corner Right Frame and Screen, 90W x 75D, High Screen, 15in End Screen Right Side	1	\$6,931.00	\$6,931.00
6	AMMW90	Ambi, Media Wall, 90W	2	\$10,950.00	\$21,900.00
7	AMPL30	Ambi, Planter Double, 30W x 15D x 52H	3	\$4,560.00	\$13,680.00
8	CVT-SR36084-RB2-B29	Cove Table, Multi-Purpose Table, Dual Base, Soft Rect, 36D x 84W, Reverse Bevel 28 5H	1	\$4,263.00	\$4,263.00
9	F161	F4 Standard Height, Med Back, Mesh Back, Knit Seat, Armless	4	\$1,384.00	\$5,536.00
				Quote Total:	\$62,946.00