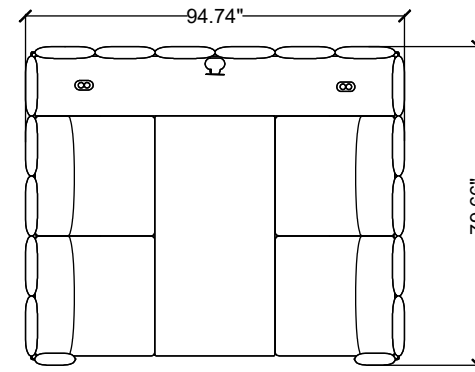


stylex

AMBI 01



Materials priced in Grade B Fabric. This specification is for budget purposes and reflects list pricing.



AMBI 01

LINE	PART NUMBER	PART DESCRIPTION	QTY	LIST	EXT. LIST
1	CATRB27T3060LM	Cala, Café, 27.5H, True Rectangle, 30D x 60W, Laminate	1	\$2,973.00	\$2,973.00
2	AMBD20	Ambi, Double Booth, Double, Standard Uph	1	\$22,510.00	\$22,510.00
				Quote Total:	\$25,483.00