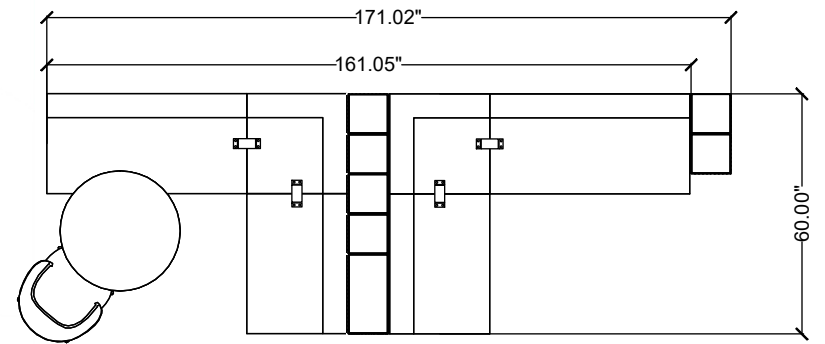


stylex

VINA 10



Materials priced in Grade B Fabric. This specification is for budget purposes and reflects list pricing.



VINA 10

LINE	PART NUMBER	PART DESCRIPTION	QTY	LIST	EXT. LIST
1	AL11110	Anla, Armless, Standard Upholstery, Four Leg Aluminum	1	\$1,568.00	\$1,568.00
2	CARDB29T3000LM	Cala, Café, 29H, Round, 30 Dia, Laminate	1	\$2,883.00	\$2,883.00
3	LNP11L50	Luna, Plinth, Standard, Low Back, 50in Long, Standard Uph	1	\$4,071.00	\$4,071.00
4	LNP11L35	Luna, Plinth, Standard, Low Back, 35in Long, Standard Uph	1	\$3,363.00	\$3,363.00
5	LNP42L25	Luna, Plinth, Square Inside Corner, Low Back, Standard Uph	2	\$3,421.00	\$6,842.00
6	LNP11L50	Luna, Plinth, Standard, Low Back, 50in Long, Standard Uph	1	\$4,071.00	\$4,071.00
7	LNP11L35	Luna, Plinth, Standard, Low Back, 35in Long, Standard Uph	1	\$3,363.00	\$3,363.00
8	VNP101024	Vina, Planter, Single, 10D x 10W, 24H	1	\$1,022.00	\$1,022.00
9	VNP102035	Vina, Planter, Double, 10D x 20W, 35H	2	\$1,805.00	\$3,610.00
10	VNS101016	Vina, Surface, 10D x 10W, 16.5H	1	\$1,136.00	\$1,136.00
11	VNT102035	Vina, Tray Surface, 10D x 20W, 35H	1	\$1,862.00	\$1,862.00
				Quote Total:	\$33,791.00