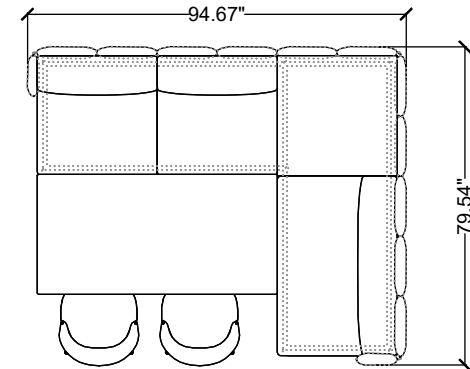


stylex

AMBI 06



Materials priced in Grade B Fabric. This specification is for budget purposes and reflects list pricing.



AMBI 06

LINE	PART NUMBER	PART DESCRIPTION	QTY	LIST	EXT. LIST
1	CATRB27T3060LM	Cala, Café, 27.5H, True Rectangle, 30D x 60W, Laminate	1	\$2,973.00	\$2,973.00
2	AMCG30CH	Ambi, Casegoods, Corner Table Box, 30W x 29D, High Screen Attachment, No Screen Attachment	1	\$1,732.00	\$1,732.00
3	AMSG10H	Ambi, Seating, Single, High Screen Attachment, Standard Uph	2	\$1,871.00	\$3,742.00
4	AMSG15H	Ambi, Seating, Single Plus, High Screen Attachment, Standard Uph	1	\$2,686.00	\$2,686.00
5	AMFR7590HB10	Ambi, Corner Right Frame and Screen, 90W x 75D, High Screen, 10in End Screen Both Sides	1	\$7,256.00	\$7,256.00
6	UL1110	Underline Chair, Armless, Four Leg Metal	2	\$1,107.00	\$2,214.00
				Quote Total:	\$20,603.00