

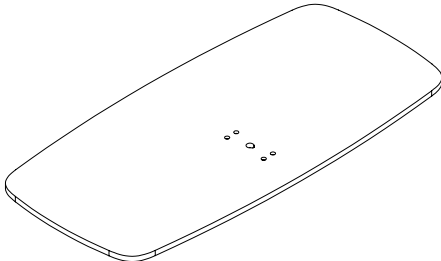
Tools & Equipment Required

- Safety Glasses
- 3/8" Wrench
- 3/8" Socket and Ratchet
- #2 Phillips Screwdriver, 6" length
- 1/4" Flat-head Screwdriver
- Table or Stands

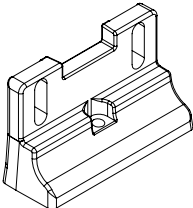
*2 person assembly requirement

Parts

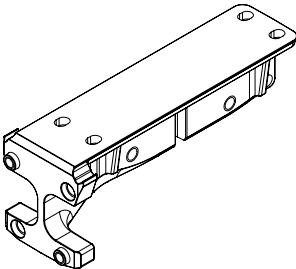
Base Plate



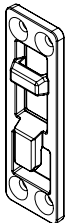
Base Riser



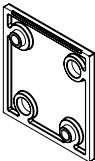
Base Connector



Screen Connector



Baseboard End-Cover

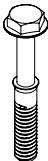


Hardware

H1
#10-32 Thread x 1/2"
Phillips Flat Head



H2
Leveling Screw
3/8" Hex Head



H3
1/4"-20 Thread x 1"
3/8" Hex Head



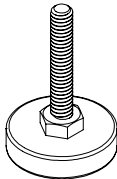
H4
#10-32 Thread x 5/8"
Phillips Pan Head



H5
#10-32 Thread x 7/16"
Phillips Pan Head



H6
Leveling Glide
3/8" Hex Head



Tools Required

Safety glasses
3/8" Wrench
3/8" Socket and Ratchet
#2 Phillips Screwdriver, 6" length

Parts Required

Base Plate
Base Riser
Base Connector
H1 #10-32 Thread x 1/2" Phillips Flat Head
H2 Leveling Screw 3/8" Hex Head
H3 1/4"-20 Thread x 1" 3/8" Hex Head

Baseplate Assembly and Installation

Assemble the Baseplate to the Baseplate Riser using the 4 Phillips head screws provided (H1). Typically, the direction of the riser and plate should match the diagram (See Image A). However, the direction of the Base Riser may be reversed to allow height adjustment if the hex screws (H3) are difficult to access while the screen is positioned. The point of the center hole of the baseplate should face the edge of the screen.

To install the Baseplate assembly on a screen, place the screen on an elevated flat surface; the end of the screen receiving the baseplate should be on the left-hand side of the installer. (See Image C)

Assembly Steps Standard Direction (Image A)

1. Thread the Leveling Screw (H2) into the Base Riser until it stops.
2. Align the Leveling Screw (H2) into the slot of the Baseplate Connector.
3. Use the two hex head screws (H3) to fasten the Base Riser to the Base Connector, and tighten with a 3/8" socket and ratchet.

Assembly Steps Opposite Direction (Image B)

1. Place the leveling screw in the slot in the Base Connector and position the baseplate riser, aligned with the leveling screw.
2. Rotate the Leveling Screw, threading it into the Baseplate Riser until it stops.
3. Install the two hex head screws and tighten with a 3/8" socket and ratchet.

With a partner, pick up the screen and stand it up on the floor. Do not lean the screen on the edge of the baseplate.

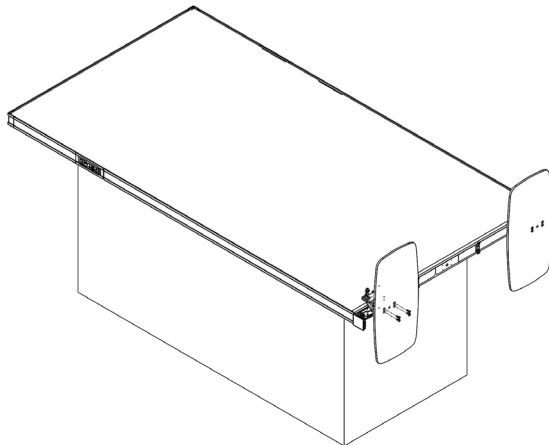


figure C

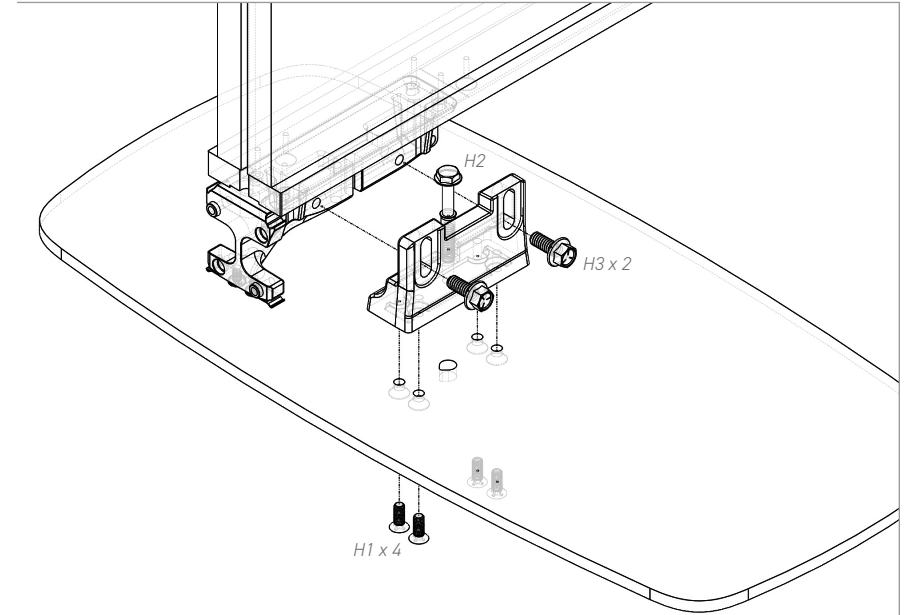


Image A Standard Direction Baseplate Assembly

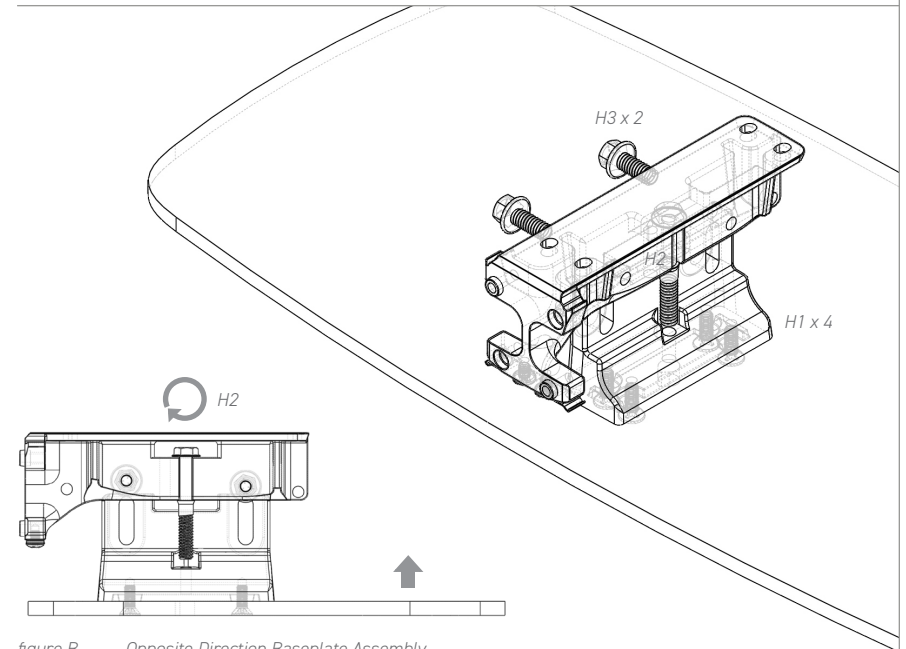


figure B Opposite Direction Baseplate Assembly

Tools Required

Safety glasses
#2 Phillips Screwdriver, 6" length

Parts Required

Screen Connector (Pre-Installed)
H4 #10-32 Thread x 5/8" Phillips Pan Head
H6 Leveling Glide 3/8" Hex Head

Assembling Layouts & Connecting Screens

Do not assemble screens while laying flat, or lay assembled screen groups on the floor.

- For linear assemblies, installation should begin with one end of a layout (Image A). If the layout has corners, begin with installation with one of the corners (Image B). Ensure that the first screen is placed accurately within the room before assembly the layout.
Note: If dual fabric screens are included, ensure textiles are facing the correct side. If power is included in the system, ensure that receptacle brackets are oriented in the correct direction.
- The hook of the Upper Connector on an installed screen should face upward, while the connector on the screen to be installed should face downward. Follow directions in Detail A to flip upper connectors.
- Position the next screen where it will be connected. Slightly lift the screen, engage the upper connectors, and lower the screen (see Detail A below for further instructions). If required, use a clean mallet or dead blow hammer to tap the screen downward and fully engage.
- Follow directions in Detail B to fasten and level each screen together.
- When the layout is safely freestanding and with no more than 3 screens, double check the screen locations within the room, and move if necessary. Do not move assemblies of more than 3 screens.

When assembling larger layouts or when floors are irregular, it may be necessary to raise all of the screens in order to allow for the adjust-ability to make all connections. If glides cannot be adjusted high enough to account for irregularities, shims may be installed underneath glides. Shims should not be used under Baseplates.

Image A
Start assembly at end of run.

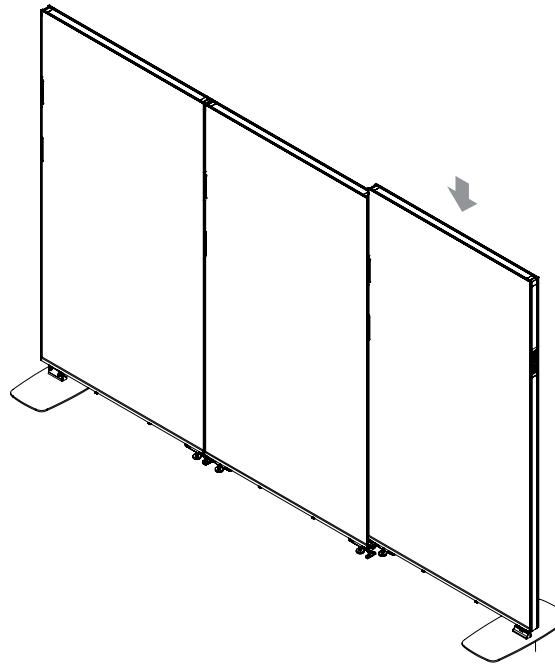
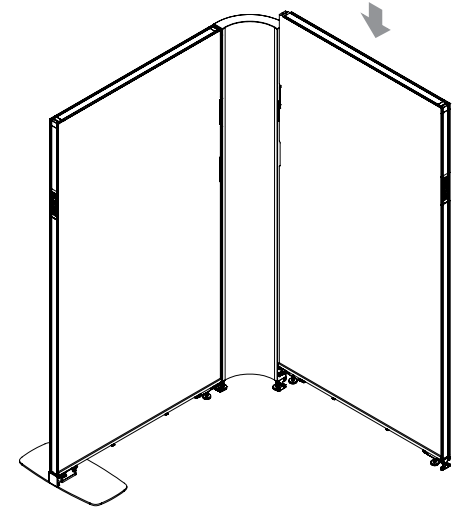
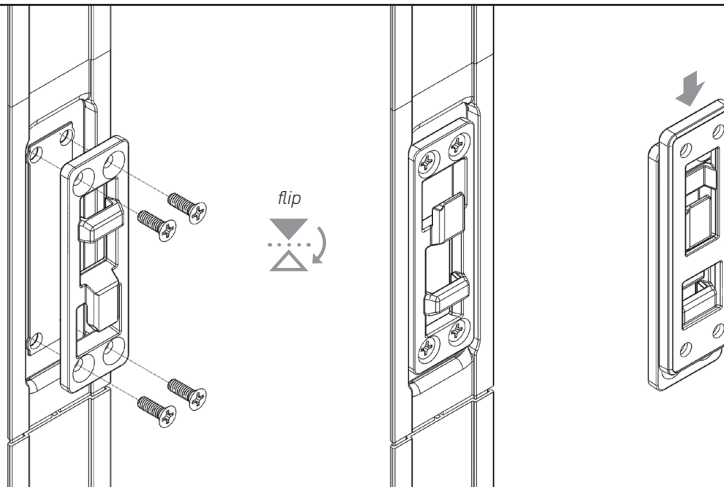


Image B
If corner screens are in the layout, start assembly with a corner screen.



Detail A : Upper Connector

The direction of the Upper Connector may be flipped by removing the four Phillips screws, rotating, and reinstalling the screws.

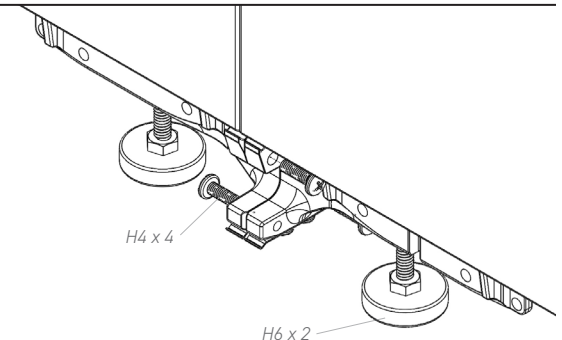


Detail B : Base Connector Assembly

Check that adjacent base connectors are aligned before installing screws. **Do not force alignment by installing screws on an angle.**

If necessary, raise or lower each screen by rotating the glides (H6) with a 3/8" wrench or adjust the height of a baseplate by loosening the two hex screws (H3), adjusting the leveling screw (H2) with a 3/8" wrench, and re-tightening the hex screws (H3).

To complete assembly, install the (H4) screws with a long Phillips screwdriver, 2 in each direction (4 total for each screen connection).



Tools Required

Safety glasses
#2 Phillips Screwdriver, 6" length

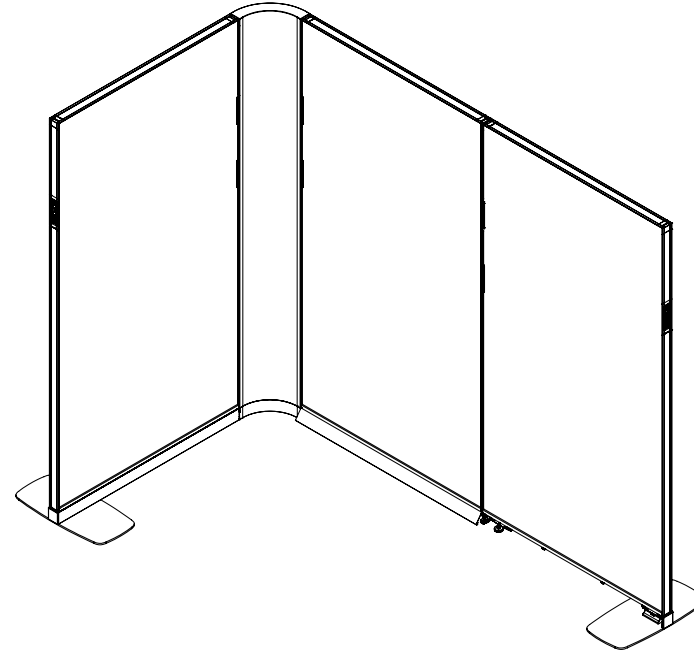
Parts Required

Screen Connector (Pre-Installed)
H5 #10-32 Thread x 7/16" Phillips Pan Head

Leveling, End-Covers, and Baseboards

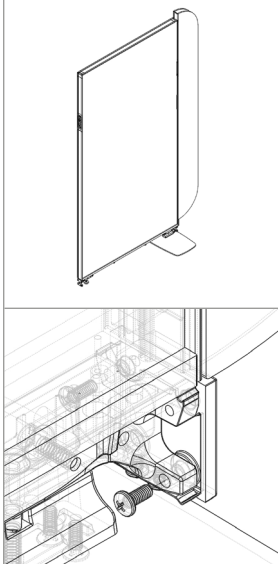
Once assembled, check that all baseplates and glides are making firm contact with the floor. Adjust if necessary. Tighten all Baseplate hex screws (H3, reference pg. 2).

Once the assembly is completely level and screens are tightly fastened together, begin installation of **Endcap Screens**, **Baseboard End-Covers**, and **Baseboard** components by following the detailed instructions below.



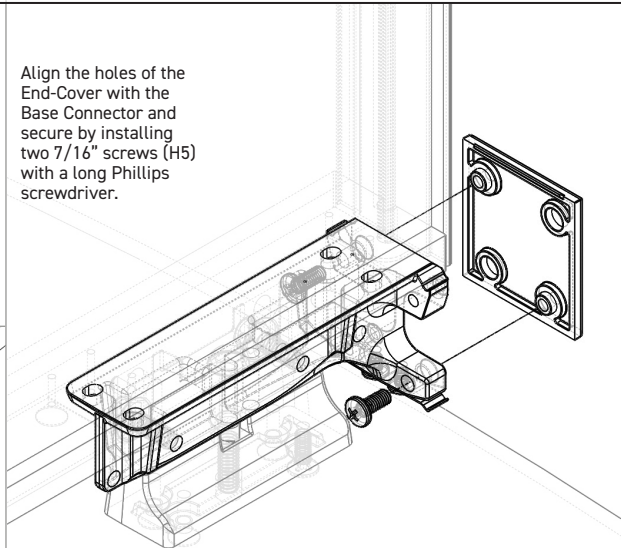
1. Endcap Screen Installation (Includes integrated End-Cover)

When installing an Endcap Screen, check that the upper connector on the screen that the Endcap will connect to is facing upward (reference Detail A on pg. 3). Hook the Endcap onto the screen and lower it. Align the attached Baseboard End-Cover with the Base Connector and secure the screen by installing two (H5) screws with a long Phillips screwdriver.



2. Baseboard End-Cover Installation

Align the holes of the End-Cover with the Base Connector and secure by installing two 7/16" screws (H5) with a long Phillips screwdriver.

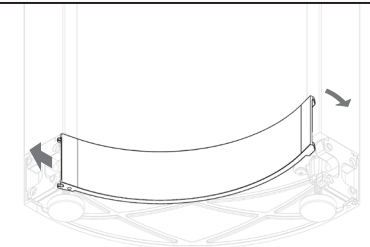


3. Baseboard Assembly

Corners Screens:

Install Corner curved baseboards by hooking one end onto the pins and rotating into place until the magnet holds the cover.

Alignment of the baseboard may be adjusted by turning the magnet catch screw clockwise or counter clockwise.



Straight Screens:

Install straight screen baseboards by hooking the top of the baseboard onto the Base Connectors and Baseboard Hangers then rotating downward until the clips hold it in place.

The spring clips can be adjusted by slightly bending. Bend the clip upward to allow the baseboard to rotate into place or downward to increase the holding force on the baseboard.

