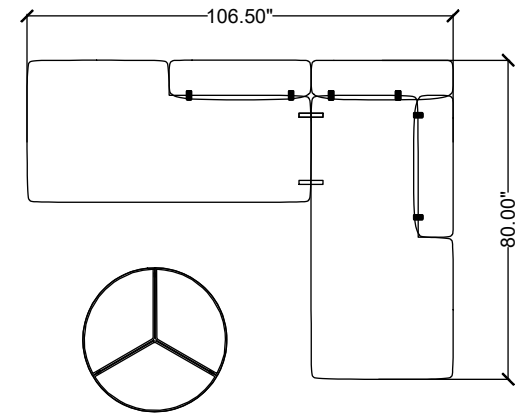


stylex

YOOM 01



Materials priced in Grade B Fabric. This specification is for budget purposes and reflects list pricing.



YOOM 01

LINE	PART NUMBER	PART DESCRIPTION	QTY	LIST	EXT. LIST
1	ADB15T36MT	Adorn B15 in, T36 in, Metal	1	\$1,061.00	\$1,061.00
2	YM261631	Yoom Boxed Soft, Pre-Configured, Chaise Right w/Back	1	\$6,179.00	\$6,179.00
3	YM261731	Yoom Boxed Soft, Pre-Configured, Chaise Left w/Back	1	\$6,179.00	\$6,179.00
4	YM2631	Yoom Boxed Soft, Back, Single Back/High Arm	1	\$1,471.00	\$1,471.00
				Quote Total:	\$14,890.00